

HC897

made in italy



DESCRIZIONE/DESCRIPTION

- Pompa dosatrice elettromagnetica analogica a portata costante;
- Contenitore in PBT ad alta resistenza adatto per alte temperature (ambienti e liquidi);
- Ingresso per sonda di livello;
- Doppia scala di regolazione degli impulsi 0-100% o 0-20%;
- Alimentazione: 220VAC - 50/60Hz. A richiesta 110V;
- Interruttore On-Off;
- Protezione IP65;
- Interfaccia analogica con una manopola e un LED bicolore;
- Valvola di adescamento manuale;
- Montaggio a parete o a basamento (staffe incluse nel kit);
- CORPO POMPA IN PVDF - elevata compatibilità chimica;
- STAFFA DI FISSAGGIO - semplifica l'installazione;
- CASSA IN PBT - elevata resistenza meccanica - rispetta l'ambiente-design ergonomico-ridotta infiammabilità;
- PORTATUBO INTEGRATO - installazione sicura e pulita;
- CONNESSIONI ESTRAIBILI - facile manutenzione della pompa.
- *Analogue electromagnetic constant flow rate dosing pump;*
- *High-strength PBT container, suitable for high temperatures (both of places and liquids);*
- *Level probe input;*
- *Double pulse regulation scale 0-100% or 0-20%;*
- *Power supply: 220VAC - 50/60Hz. Upon request 110V;*
- *On-Off switch;*
- *IP65 protection;*
- *Analogue interface by knob and a LED bicoloured;*
- *Manual priming valve;*
- *Wall or foot mounting (brackets included in the kit);*
- *PVDF BODY PUMP - high chemical compatibility;*
- *FIXING BRACKET - to simplify the installation;*
- *PBT CASE - high mechanical resistance-eco-friendly-ergonomic-low flammability;*
- *BUILT-IN PIPE HOLDER - safe and clean installation;*
- *REMOVABLE CONNECTIONS - easy maintenance of the pump.*

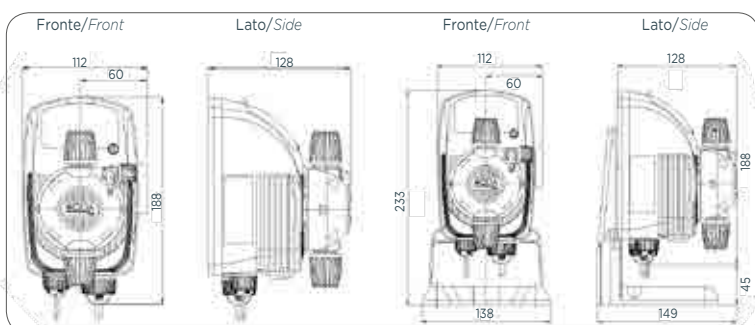


CARATTERISTICHE TECNICHE/TECHNICAL FEATURES

	Versione standard Standard version	A richiesta Upon request
Corpo pompa Pump head	PVDF	-
Cassa pompa Pump housing	PBT	-
Diaframma Diaphragm	PTFE	-
Sfere Balls	PTFE	PTFE/ceramica PTFE/ceramic
Valvole Body valve	PVDF	-
O-rings O-rings	Viton®	Dutral®
Valvola di iniezione molla - sfera Injection ball valve (Spring)	Hastelloy/PTFE	Hastelloy/PTFE Hastelloy/ceramic
Raccordo d'iniezione Injection fitting	PVDF	-
Valvola di fondo Foot valve	PVDF	-
Alimentazione Power supply	230V	110V



DIMENSIONI/DIMENSIONS



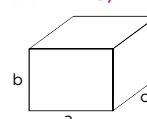
NORMATIVE/STANDARDS

- n° 2004/108/CE Direttiva EMC
- n° 2006/95/CE "DBT Low Voltage Directive"
- n° 2011/65/UE, 2002/96/CE "direttive RoHs e WEEE"
- no. 2004/108/CE EMC directive
- no. 2006/95/CE "DBT Low Voltage Directive"
- no. 2011/65/UE, 2002/96/CE "RoHs and WEEE directives"



IMBALLO/PACK

- Confezione singola/Single pack:
axbxc: 192x160x250 mm
Kg: 2,86
- Confezione multipla/Multipack:
6pz/pcs-axbxc: 405x270x515mm
Kg: 18,16



01 > pompe dosatrici elettromagnetiche solenoid driven dosing pumps

HC897

Codice Code	Modello Model	Portata Flow rate	Pressione Pressure	N°colpi Strokes	Vol. iniezione Stroke volume	Assorbimento Consumption	Tubi (INTxEST) Tubing IDxOD	Corpo pompa Pump head
		lt/h	BAR	BPM/SPM	ml/colpo	watt	mm	
AD89000010000	1	2	8	150	0,22	15	4x6	PVDF 1/2"
		5	5		0,55			
		7	2		0,77			
AD89001010000	2	7	4	150	0,77	15	4x6	PVDF 1/2"
		8	2		0,88			
		10	0		1,11			
AD89002010000	3	3	12	150	0,33	20	4x6	PVDF 1/2"
		4	10		0,44			
		5	8		0,55			
AD89003010000	4	10	4	180	0,93	20	4x6	PVDF 1/2"
		12	2		1,11			
		14	0		1,29			
AD89007010000	5	2	20	75	0,44	20	4x6	PVDF 1/2"
		2,5	18		0,55			
		3	15		0,66			



KIT DI INSTALLAZIONE/INSTALLATION KIT

Codice Code	Modello Model
ADSP6000078	PE tubo mandata (2m) PE delivery tube (2m)
ADSP6000546	PVC crystal tubo (aspirazione + spurgo) (2 m) PVC crystal tube (suction + bleed) (2 m)
ADSP6000028	Filtro di fondo PVDF 4x6 Foot filter PVDF 4x6
ADSP6200031	Valvola di iniezione a sfera 1/2" PVDF 4x6 Injection valve ball 1/2" PVDF 4x6
ADSP6020221	Staffa di fissaggio a parete (HC100-150-151-897-997-999) Wall fixing bracket (HC100-150-151-897-997-999)
ADBASI00	Base di sostegno (HC150-151-897-997-999) Horizontal mounting bracket (HC150-151-897-997-999)
ADSP6000041	Tasselli e viti Anchors and screws



ACCESSORI E RICAMBI/ACCESSORIES AND SPARE PARTS

Accessori/Accessories

Codice Code	Modello Model
ADSLG1	Sonda livello senza connettore Level probe without connector

Codice Code	Modello Model	Tenute Seals	Altezza Height mm	Connettore Connector	Connessioni Connections	Sebatoio Tanks lt
ADLASM1000	Lancia di aspirazione Suction device	GL - VT	115 - 600	-	4x6	60 - 100
ADLASM3000	Lancia di aspirazione Suction device	GL - VT	115 - 840	-	4x6	200 - 300

Codice Code	Modello Model	Dimensione Size Øxh	Volume Volume lt
ADTANK010	Serbatoio polietilene PE tank	500 x 680	100
ADTANK020	Serbatoio polietilene PE tank	620 x 800	200
ADTANK030	Serbatoio polietilene PE tank	710 x 890	300

Ricambi/Spare parts

Codice Code	Modello Model	Portata Flow-rate lt/h	Pressione Pressure BAR	Tubo Pipe
ADSP900P000	Corpo pompa HC897, HC997 AQUA POOL PVDF-PTFE-VT Pump head HC897, HC997, AQUAPOOL PVDF-PTFE-VT	1 - 14	20	4 x 6
ADSP900S000	Corpo pompa HC897 PVC-PVDF-CE-VT (spurgo automatico) Pump head HC897 PVC-PVDF-CE-VT (automatic discharge)	1 - 14	20	4 x 6



QR code

Vai direttamente all'approfondimento
Get more detailed information

Chemical Compatibility Table



Dosing pumps are widely used for dosing chemical products. It is important to select the most suitable material for the liquid to be dosed. The CHEMICAL COMPATIBILITY TABLE is a precious aid to that end.

The following Table must be used as an indicative instrument. Modifications in the transported fluid composition or particular service conditions can reduce the resistance of the materials.

Product	Formula	Ceram.	PVDF	PP	PVC	Hastel.	PTFE	FPM (Viton)	EPDM (Dutral)	NBR	PE
Acetic Acid, Max 75%	CH ₃ COOH	2	1	1	1	1	1	3	1	3	1
Concentrated hydrochloric acid	HCl	1	1	1	1	1	1	1	3	3	1
Hydrofluoric acid 40%	H ₂ F ₂	3	1	1	2	2	1	1	3	3	1
Phosphoric acid, 50%	H ₃ PO ₄	1	1	1	1	1	1	1	1	3	1
Nitric acid, 65%	HNO ₃	1	1	2	3	1	1	1	3	3	2
Sulphuric acid 85%	H ₂ SO ₄	1	1	1	1	1	1	1	3	3	1
Sulphuric acid 98.5%	H ₂ SO ₄	1	1	3	3	1	1	1	3	3	3
Amines	R-NH ₂	1	2	1	3	1	1	3	2	3	1
Sodium bisulphite	NaHSO ₃	1	1	1	1	1	1	1	1	1	1
Sodium carbonate (Soda)	Na ₂ CO ₃	2	1	1	1	1	1	2	1	1	1
Iron chloride	FeCl ₃	1	1	1	1	1	1	1	1	1	1
Calcium hydroxide	Ca(OH) ₂	1	1	1	1	1	1	1	1	1	1
Sodium hydroxide (Caustic soda)	NaOH	2	1	1	1	1	1	2	1	2	1
Calcium hypochlorite	Ca(OH) ₂	1	1	1	1	1	1	1	1	3	1
Sodium hypochlorite, 12.5%	NaOCl + NaCl	1	1	2	1	1	1	1	1	2	2
Potassium permanganate 10%	KMnO ₄	1	1	1	1	1	1	1	1	3	1
Hydrogen peroxide, 30%	H ₂ O ₂	1	1	1	1	1	1	1	2	3	1
Aluminium sulphate	Al ₂ (SO ₄) ₃	1	1	1	1	1	1	1	1	1	1
Copper sulphate	CuSO ₄	1	1	1	1	1	1	1	1	1	1

Component with *excellent resistance* -1-

Component with *fair resistance* -2-

Non-resistant component -3-

Construction materials of pump and accessories

Polyvinylidene fluoride (PVDF) Pump body, valves, fittings, tubes
 Polypropylene (PP) Pump body, valves, fittings

PVC Pump body
 Hastelloy C-276 (Hastelloy) Injection valve spring
 Polytetrafluoroethylene (PTFE) Diaphragm
 Polyethylene (PE) Tubes