

PICOSTAT PRESSURE SWITCH

Swiss based Trafag is a leading international supplier of high quality sensors and monitoring instruments for measurement of pressure and temperature. The 9M4 of the Picostat series is based on our long lasting experience in the shipbuilding and railway sector. This further improved version offers high vibration resistance within a compact body and is suitable for a wide temperature range.



Applications

- Shipbuilding
- Engine manufacturing
- Railways
- Machine tools
- Hydraulics



Features

- Compact design
- Rugged housing
- Protection IP65
- Any mounting position possible

Technical Data


| | | | |
|------------------------|--|---------------------|---|
| Measuring principle | Membrane | Repeatability | ± 2.0 % FS typ. |
| Measuring range | 1 ... 10 to 10 ... 100 bar 14 ... 150 to 150 ... 1500 psi | Media temperature | 0°C ... +80°C |
| Output signal | 1 Floating change-over contact (SPDT) | Ambient temperature | 0°C ... +80°C |
| Switching differential | Not adjustable | Approval | ABS, BV, CCS, DNV, GL, KRS, LRS, RINA, EN60730-1/ EN60730-2-6: Typ 2.B.H |

05/2016

Data sheet H72368g

Subject to change

Ordering information/type code

| | | | | 9M4 . | XX | XX | XXX | XX | XX |
|--|---|---------------------------------------|-----------|--------------------|----------------------------|----|------------|-----------|-----------|
| Microswitch | Standard ¹⁾ | | | | 42 | | | | |
| | Standard  ¹⁾ | | | | 33 | | | | |
| | Gold plated contacts ¹⁾ | | | | 84 | | | | |
| Range | Range [bar] | Over pressure [bar] | | Range [psi] | Over pressure [psi] | | | | |
| | 1 ... 10 | 200 | 78 | 14 ... 150 | 2900 | | G8 | | |
| | 1 ... 16 | 200 | 79 | 14 ... 250 | 2900 | | G9 | | |
| | 2 ... 25 | 200 | 80 | 30 ... 400 | 2900 | | H0 | | |
| | 4 ... 40 | 200 | 81 | 60 ... 500 | 2900 | | H1 | | |
| | 6 ... 60 | 200 | 82 | 85 ... 850 | 2900 | | H2 | | |
| | 10 ... 100 | 200 | 83 | 150 ... 1500 | 2900 | | H3 | | |
| Sensor | Sensor material | Sensor housing material | | Range | | | | | |
| | FKM Membrane | Aluminium EN AW-6082 AlMgSi1 anodized | | 78, 79 | | | 761 | | |
| | FKM Membrane | Aluminium EN AW-6082 AlMgSi1 anodized | | 80, 81 | | | 762 | | |
| | FKM Membrane | Aluminium EN AW-6082 AlMgSi1 anodized | | 82, 83 | | | 763 | | |
| Pressure connection | G1/8" female | | | | | | | 02 | |
| | G1/4" female | | | | | | | 04 | |
| | M10x1.0" female ²⁾ | | | | | | | 03 | |
| Accessories | Flange with O-Ring ³⁾ | | | | | | | | 11 |
| | Female electrical connector EN175301-803-A (DIN43650-A) | | | | | | | | 46 |
| | Welsh plug G1/4" | | | | | | | | 74 |
| | Fixing set | | | | | | | | V3 |
| | Covering cap | | | | | | | | 15 |
| | Sealing switchpoint (manipulation protection) | | | | | | | | 16 |
| | Switch point adjustment on customers request | | | | | | | | |
| | Please indicate when ordering: - Switchpoint including measurement unit (kPa, bar, MPa, psi, abs. or rel.) - Increasing or decreasing | | | | | | | | 88 |
| Damping elements and snubber see data sheet H72258 | | | | | | | | | |

¹⁾ Switching differential not adjustable

²⁾ Please ask us

³⁾ Only with pressure connection 04 (G1/4"), others upon request

Standard products (extra short lead time)

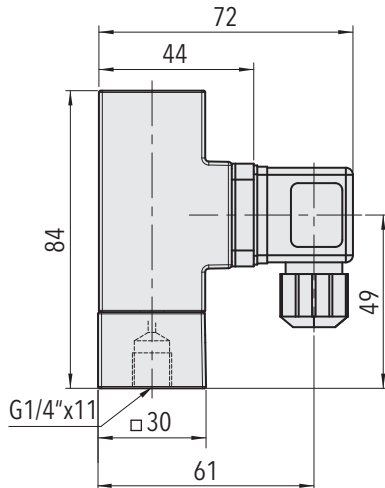
| Product No. | Type Code | Pressure range [bar] | Over pressure max. [bar] | Switching differential [bar] |
|-------------|--|----------------------|--------------------------|------------------------------|
| PST4M164 | 9M4 4279 761 04 0000 0000 15 46 V3 | 1 ... 16 | 200 | 0.2 ... 1.7 (fixed) |
| PST4M404 | 9M4 4281 762 04 0000 0000 15 46 V3 | 4 ... 40 | 200 | 1.2 ... 4.5 (fixed) |
| PST4M1004 | 9M4 4283 763 04 0000 0000 15 46 V3 | 10 ... 100 | 200 | 4 ... 16 (fixed) |
| PST4M16F4 | 9M4 4279 761 04 0000 0000 11 15 46 74 V3 | 1 ... 16 | 200 | 0.2 ... 1.7 (fixed) |
| PST4M40F4 | 9M4 4281 762 04 0000 0000 11 15 46 74 V3 | 4 ... 40 | 200 | 1.2 ... 4.5 (fixed) |
| PST4M100F4 | 9M4 4283 763 04 0000 0000 11 15 46 74 V3 | 10 ... 100 | 200 | 4 ... 16 (fixed) |

| Specifications | | |
|---------------------------------|--|--|
| Accuracy | Repeatability | ± 2.0 % FS typ. |
| | Switching differential | See table |
| | Adjustment range switchpoint ²⁾ | 10% ... 90% FS |
| | Temperature dependence switching point | approx. + 0.1% FS/°C typ. |
| Environmental conditions | Ambient temperature | 0°C ... +80°C |
| | Media temperature | 0°C ... +80°C |
| | Storage temperature | -40°C ... +85°C |
| | Protection ¹⁾ | IP65 |
| | Humidity | Max. 95 % relative |
| | Vibration | Switch (IEC/EN 60068-2-6): 10...59 Hz: ±0.75mm Ampl. 59...500 Hz: 5g |
| | Shock | 50g/ 3 ms |
| Mechanical Data | Sensor | See ordering information |
| | Housing | Aluminium EN AW-6082 AlMgSi1 anodized |
| | Sealing | FKM |
| | Housing seal | EPDM 75 Sh |
| | Male electrical plug | PA, Polyamide |
| | Mounting torque | G 1/4": MA= 32 ... 40 Nm |
| | Installation | any position |
| | Weight | ~ 200 g |
| Microswitch | Rating | See table |
| | Resistance of insulation | 500 VDC > 10 MΩ |
| | Dielectric strength | (IEC/EN 60730-1) >1.5 kV AC/60 s terminal ground >500 VAC/60 s via open contacts |
| Electrical connection | Electrical connections | EN175301-803-A (DIN43650-A) |
| | Female electrical connector | Cable-Ø: 4...9 mm Terminal screw: 4 x 0.5...1.5 mm ² |

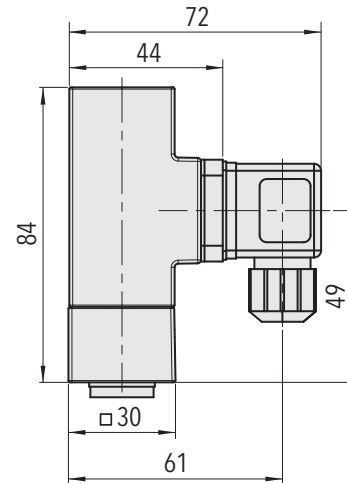
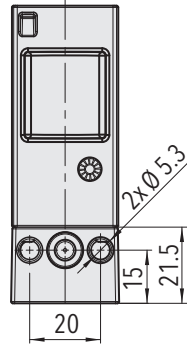
¹⁾ Provided female connector is mounted according to instructions

²⁾ Other adjustment ranges upon request

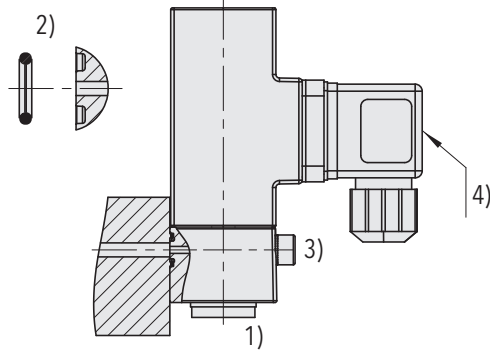
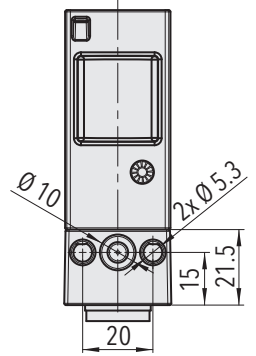
Dimensions



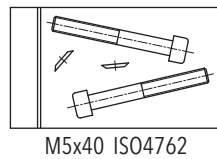
9M4.XXXX.7XX.04.46.V3



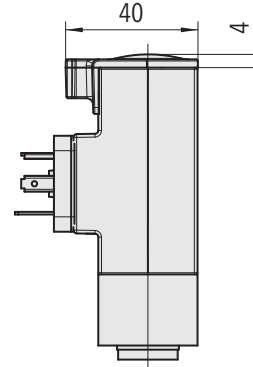
9M4.XXXX.7XX.04.11.46.74.V3



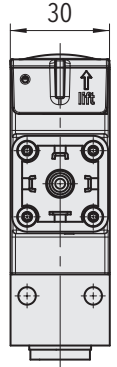
9M4.XXXX.XXX.XX.11



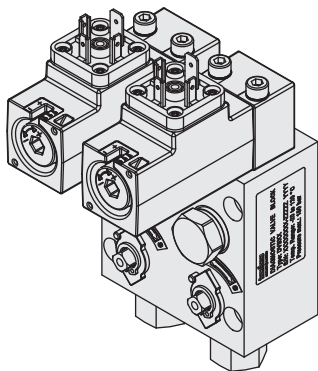
9M4.XXXX.XXX.XX.V3



9M4.XXXX.XXX.XX.15



- 1) Torque: G 1/4": $M_A = 32 \dots 40 \text{ Nm}$
- 2) O-Ring: $\varnothing 6.75 \times 1.78$ NBR 90 Sh
- 3) Fixing screw: M5; property class: 8.8; torque: 4.5...6 Nm
- 4) Torque connector center screw: max. 0.4 Nm



Diagnostic Valve Bloc (DVB)
see specification sheet H72361

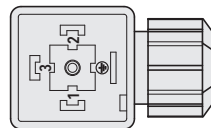
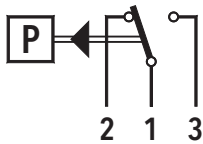
Switching differential typ. @ 25°C

| Measuring range of membrane sensor | [bar] [psi] | 1 ... 10 14 ... 150 | 1 ... 16 14 ... 250 | 2 ... 25 30 ... 400 | 4 ... 40 60 ... 500 | 6 ... 60 85 ... 850 | 10 ... 100 150 ... 1500 |
|---|----------------|------------------------|------------------------|------------------------|------------------------|------------------------|----------------------------|
| Microswitch 42/84/33 | [bar] | 0.2 ... 1.7 | 0.2 ... 1.7 | 1.2 ... 4.5 | 1.2 ... 4.5 | 4 ... 16 | 4 ... 16 |
| Switching differential (not adjustable) | [psi] | 3 ... 24.5 | 3 ... 24.5 | 18 ... 66 | 18 ... 66 | 58 ... 232 | 58 ... 232 |

Electrical data switch

| Type | Features | Rating | |
|----------------------------|----------------------|--|---|
| | | Resistive Load (Inductive Load) | |
| | | AC | DC |
| 42/33 (Standard) | Silver contacts | 250 V, 6 (1) A | 220 V, 0.25 (0.1) A 110 V, 0.5 (0.2) A 60 V, 1(0.5) A 24 V, 3 (2) A 12 V, 6 (6) A |
| 84 | Gold plated contacts | max. 30 V, 0.1 (0.1) A min. 5 V, 5 mA | |

Electrical Connection



EN175301-803-A

Additional information

Documents

| | |
|--------------|--|
| Data sheet | www.trafag.com/H72368 |
| Instructions | www.trafag.com/H73367 |
| Flyer | www.trafag.com/H70668 |