



MultiLog



MultiLog SRD-99

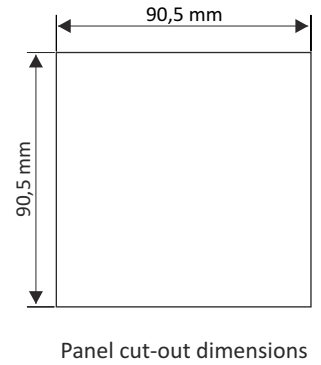
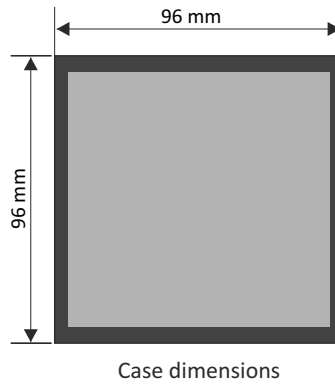
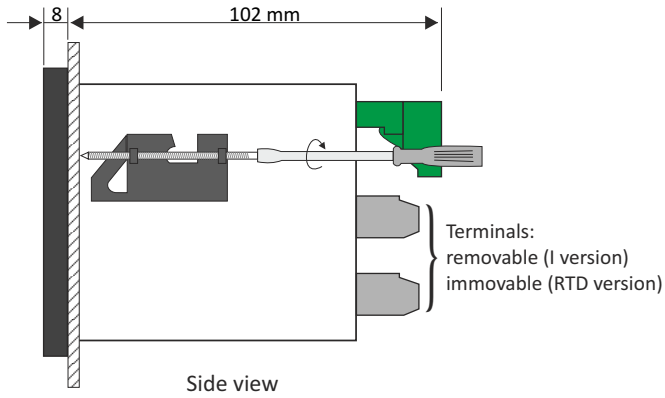
- data recorder
- up to 8 inputs 0/4 - 20 mA or Pt100/Pt500/Pt1000
- 2 electronic relay outputs (optoMOS)
- USB Host port for flash data storage and configuration transfer
- RS-485 / Modbus RTU
- display measured values in °C or °F
- free configuration and recording software

The **MultiLog SRD-99** device is designed to record and display current values as well as to present technological parameters in the form of graphs. The device is equipped with eight temperature (Pt100/500/1000) or current (in the 0/4-20 mA standard) inputs, one pulse (digital) input for controlling the recording process and one USB Host port for flash data storage. However, due to a significant number of configured parameters it is advised to use the attached configuration software for PCs. **SRD-99** has 2 electronic relays with max. load 24V AC (35V DC) 200 mA. Main function of outputs is a signalisation of critical situations, but thanks to expanded menu it is possible to use it in numerous control and regulation applications. Both outputs can be driven by single measurement channel or by group of channels (from 1 to 8 channels) with individually adjustable thresholds for every measurement channel. Signalisation of output state is made as two fields described R1 and R2 in left upper corner of LCD screen.

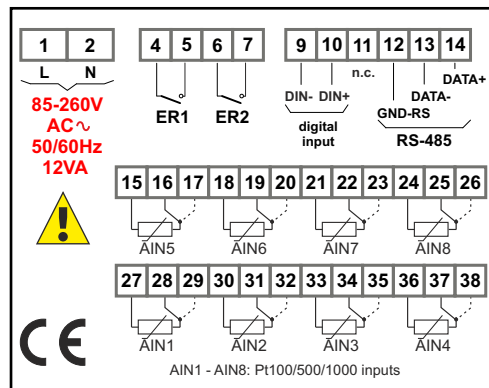
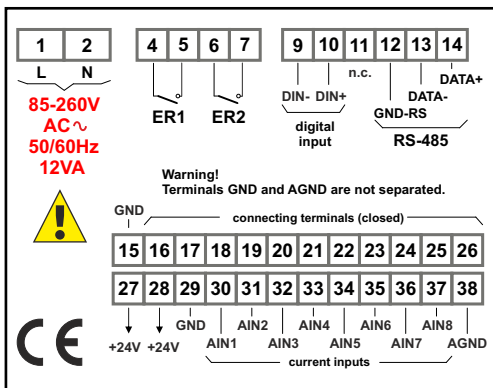
TECHNICAL DATA

Power supply	19 ÷ 50V DC, 16 ÷ 35V AC or 85 ÷ 260V AC/DC, all separated
Power consumption	7 VA typ., 12 VA max.
Display	graphic LCD, 128 x 64 points, with backlight
Measuring inputs	1, 4 or 8: RTD: Pt100; Pt500; Pt1000 (2 and 3-conductor connection) current: 0-20 mA or 4-20 mA; common ground
Digital input	1 input 24V DC, optocoupled
Measuring range	current inputs: ± 9999 + decimal point RTD inputs: -100,0°C ÷ +600,0°C with resolution 0,1°C (-148°F ÷ +999,9°F with resolution 0,1°F)
Outputs	2 electronic relays (ER1, ER2), max. load 24V AC (35V DC) / 200 mA
Sensor supply output	24 V DC ± 5%, max. 200 mA (only current version), not separated from measuring inputs
Communication	RS-485 (Modbus RTU) or USB Host port, galvanically isolated, transmission speed: 1200 - 115200 bit/sec.
Memory capacity	2 MB (0.5 million data recordings) in version without USB, 8 MB (above 2 millions data recordings) in version with USB Host port
Data recording period	1 s / 2 s / 5 s / 10 s / 15 s / 20 s / 30 s / 1 min / 2 min / 5 min / 10 min / 15 min / 20 min / 30 min / 60 min
Operating temperature	0°C ÷ +50°C
Storage temperature	-10°C ÷ +70°C
IP rate protection	version without USB: IP 65 (front), available options: additional frame IP 65 for panel cut-out sealing, door STD-99 (see: accessories) version with USB: a) IP 40, b) IP 54 (when fitted with STD-99 transparent door, see: accessories)
Case	panel mounting; material: NORYL - GFN2S E1
Dimensions	case (WxHxD): 96 x 96 x 100 mm panel cut-out dimensions: 90,5 x 90,5 mm installation depth: min. 102 mm board thickness: standard 7 mm or other depending on used board thickness brackets (see: Accessories)
Weight	420 g max.

DIMENSIONS



EXAMPLARY PIN ASSIGNMENT

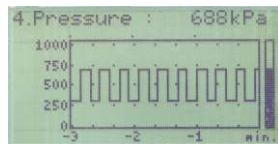


DATA PRESENTATION

Individual alphanumeric description (text) of each of the recorded channels is possible. The multi-language menu assisted with full text descriptions makes the unit configuration process quite easy.



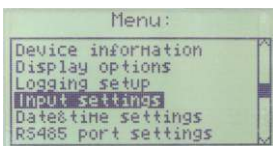
The current value of the measurement signal
Height of the digits: 18 mm



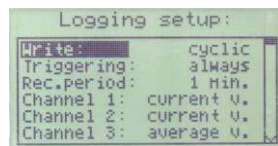
The history of the process in time



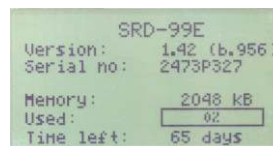
8-channel view displayed at the same time



Main menu of the unit



Logging parameters



Device information

ORDERING

SRD-99-~~XX~~28-1-X-XX1

number of inputs:

- 1
- 4
- 8

type of inputs:

- 1 : current 0/4-20 mA
- 3 : RTD (Pt100, Pt500, Pt1000)

options:

- 00 : no options
- 01 : IP 65 frame (version without USB)
- 0B : USB Host port provided with a protective cap

power supply:

- 3 : 24V AC/DC
- 4 : 85V - 260V AC/DC

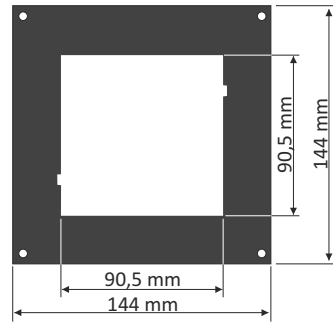


SECURITY DOOR WITH LOCK



STD-99
A transparent door with IP 54 rate and lockable with security key, for 96 x 96 mm case

MOUNTING PLATES



SMP-1414/99
to mount 96 x 96 mm size unit in place of 144 x 144 mm cut-out

BOARD THICKNESS BRACKETS / ADAPTORS



SPH-07
1 ÷ 7 mm board thickness brackets (2 pcs) **standard included with device**



SPH-45
1 ÷ 45 mm board thickness brackets (2 pcs)

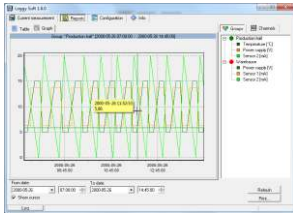


SPH-05
1 ÷ 5 mm board thickness brackets (2 pcs)

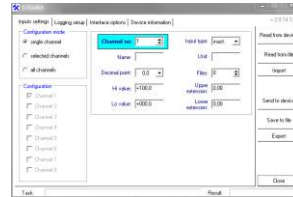


SRH-99
brackets for mounting devices on DIN 35/7.5 or 15 rail (2 pcs)

SOFTWARE



The **Loggy Soft** enables the visualization, archiving and printing of measurements (e.g. temperature, humidity, pressure) stored in MultiLog device memory.



The **S-Toolkit** enables configuration reading and writing operations, updating the device firmware and obtaining basic information on MultiLog series devices through RS-485 serial interface or flash-disk devices plugged into USB port.

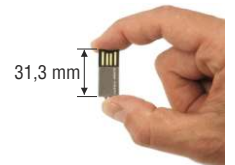
Loggy Soft and **S-Toolkit** software can be downloaded from SIMEX website at www.simex.pl

PENDRIVE

An unusually small and light USB flashdrive has been designed with easy storage and transport in mind, fits perfectly in the case with closed IP 54 rate door.



MF-8
mini pendrive / memory stick
8 GB + strap



MS pendrive,
4 or 8 GB

CONVERTERS



SRS-U4

SRS-2/4-Z45

The converter modules are designed to connect USB host (**SRS-U4** converter) or RS-232 port (**SRS-2/4-Z45** converter) to slave devices equipped with RS-485 interface.

The PC computer with special software can function as a system MASTER device. The units guarantee full galvanic isolation between USB/RS-232 and RS-485 circuits.

