

CLD402 and CLD410 Chlorine Dioxide Sensors FCL402D, FCL405D, and FCL410D Free Chlorine Sensors



4-20mA Direct Output

500V Input to Output Isolation

Multiple ranges to select from

Replacement for other 4-20mA ClO₂ and free Cl-sensors

The CLD series (chlorine dioxide sensors) and FCL series (free chlorine sensors) feature amperometric measurement technology. Designed for disinfection applications in water treatment, for use with chlorine dioxide, chlorine generators, pools, etc., these sensors are available in several ranges for detecting ppm level of chlorine dioxide or free chlorine to better help our customers. Choose the CLD402 for 0-2ppm and CLD410 for 0-10ppm of chlorine dioxide. Choose the FCL402D for 0-2ppm, FCL405D for 0-5ppm and FCL410D for 0-10ppm of free chlorine.

Sensors output a 4-20mA signal. Membrane cap and fill solution are easily replaceable to maximize sensor life.

Sensors can be used in new installations with Sensorex flow cell or installed as replacement for other 4-20mA output ClO₂ or Free chlorine (FCL) sensors (Consult Sensorex for compatibility).

An optional flow meter is available to help provide consistent flow for added system stability.

Specifications

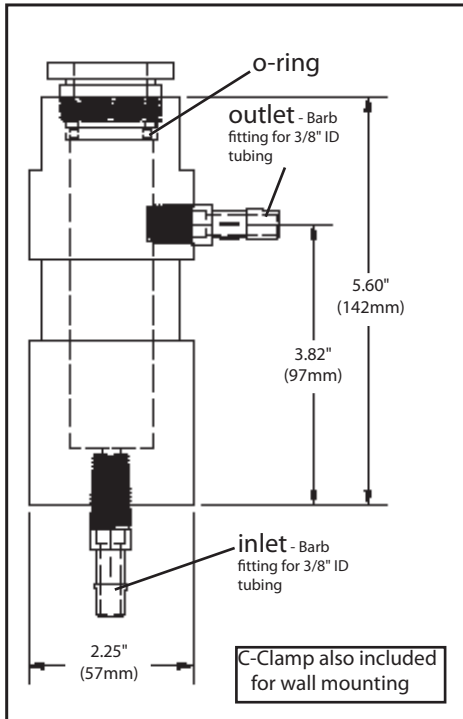
	CLD (Chlorine Dioxide Sensors)	FCL (Free Chlorine Sensors)
Measuring Range	0-2 or 0-10 ppm ClO ₂	0-2 or 0-5 or 0-10 ppm Free Chlorine
pH Range	4-11	5.5-8.0
Body Material	PVC	PVC
Temperature Range	0 - 45 Degrees C	0 - 45 Degrees C
Maximum Pressure	14.7 psig (1 Bar)	14.7 psig (1 Bar)
Temp Comp	Integrated	Integrated
Cable Length	10 feet 2 conductors, tinned leads	10 feet 2 conductors, tinned leads
Process Connection	flow cell 1/4 inch FNPT threads	flow cell 1/4 inch FNPT threads
Output	4-20mA	4-20mA
Flow Range	Min 0.2gpm (45 l/hr), Max 0.6gpm (135 l/hr)	Min 0.2gpm(45 l/hr), Max 0.6gpm(135 l/hr)
Supply Voltage	12-24V DC, 250mA minimum	12-24V DC, 250mA minimum
Cross Sensitivity	Ozone, Free chlorine, monochloramine	Bromine, Ozone, ClO ₂ (chlorine dioxide)
Chemical Compatibility	up to 50% ethanol/ water, up to 50% glycerol/water	up to 50% ethanol/water, up to 50% glycerol/water

Parts covered by this product data sheet include:
CLD402, CLD410, FCL402D, FCL405D, FCL410D, FC72,
FM001

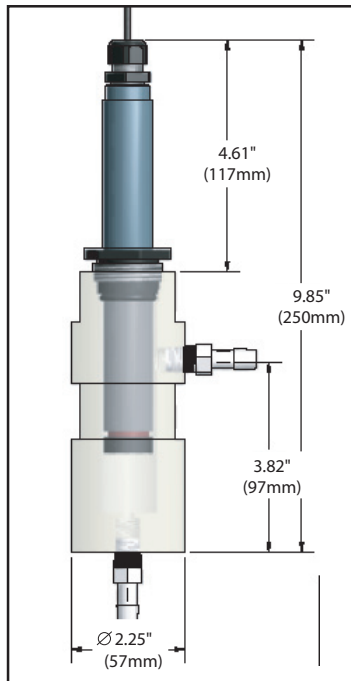
Page 1 of 2

CLD402 and CLD410 Chlorine Dioxide Sensors FCL402D, FCL405D, and FCL410D Free Chlorine Sensors

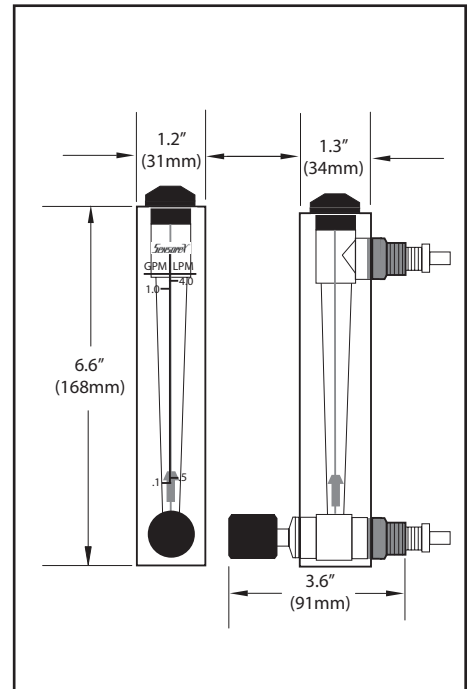
FC72 FLOW CELL DIMENSIONS



SENSOR AND FLOW CELL INSTALLATION DIMENSIONS



FLOW METER FM001 DIMENSIONS



Ordering Information

Sensors

CLD402	0-2ppm ClO ₂ 4-20mA sensor
CLD410	0-10ppm ClO ₂ 4-20mA sensor
FCL402D	0-2ppm free Cl- 4-20mA sensor
FCL405D	0-5ppm free Cl- 4-20mA sensor
FCL410D	0-10ppm free Cl- 4-20mA sensor

Accessories

FC72	Flow Cell, 1/4" FNPT inlet and outlet, includes 2 each 1/4" NPT barbed tube fittings for 3/8" ID tubing.
CLDA-4015	ClO ₂ fill solution, 30mL, 1 each
FCLA-4015	Free Cl- fill solution, 30mL, 1 each
CLDA-4016	CLD Replacement premembraned cap, 1 each
FCLA-4016	FCL Replacement premembraned cap FCL405, FCL410, 1 ea.
FCLA-4026	FCL Replacement premembraned cap for FCL402, FCL402D, FCL405D, FCL410D 1 each
FM001	Flow meter, 0.1-1.0gpm (0.5-4.0 Lpm) range, 6% accuracy, 1/4" FNPT & 1/2" MNPT threads plus (2x) 3/8" tube fittings

11751 Markon Dr.
Garden Grove, CA 92841 USA
Tel: 714-895-4344
Fax: 714-894-4839
E-mail: info@sensorex.com
www.sensorex.com