

PCB - Capsule Gauges

All stainless steel pressure gauge suitable for measuring low pressures in dry, gaseous media.

Case and Bezel

PCB - brush finish 304 stainless steel case and bezel

PCZ - P.B.T. colour coded case and bezel

PCK - black mild steel, bezel integral with threaded window

PCG - brush finish 304 stainless steel bezel and case (crimp on bezel)

Window

Acrylic (polycarbonate) as standard

Mountings

Direct, surface or panel mounting (63 mm stainless steel back entry only)

Nominal Sizes

	black mild steel case	stainless steel case			PBT case	
mm	68	63	100	150	100	150
Imp	2 1/2"	2 1/2"	4"	6"	4"	6"

Socket and Capsule

Code:	SS	BB
Socket:	316 L/Ti	brass
Capsule:	316 Ti	bronze

Movement

Code:	SS	BB
	300 series stainless steel	brass

Dial

Aluminium, black lettering on white background

Pointer

Black aluminium, micrometer adjustable

Zero Adjustment

Through window (remove window)

Connections

Threaded entry 1/4" + 1/2" (NPT - BSP)

Other connections available on request

Scale Ranges

0-25 mbar to 0-1 000 mbar

or equivalent other units of pressure or vacuum



Accuracy

100 mm & 150 mm	1,6 % FSD
63 mm & 68 mm	1,6 % FSD

Temperature Range

Ambient temperature -25° C to +60° C

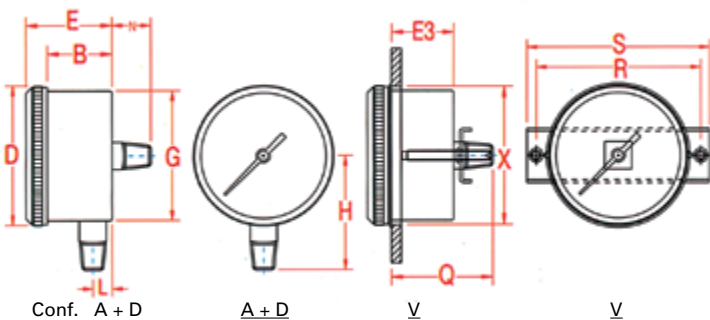
Medium temperature to 100° C

Note: minimum temperature should not be less or equal to the freezing point of the process fluid.

Higher temperatures can be accommodated with heat reducing devices

Weather Protection

IP 54



Conf. A + D

A + D

∇

∇

Nominal size

Dimensions

Metric	B	D	E	E3	G	H	L	N	Q	R	S	X
Imperial												
68 mm	33,50	73,00	45,00	28,50	67,00	56,50	10,00	20,00	51,00	74,00	83,00	68,50
2 1/2"	1,32	2,87	1,77	1,12	2,64	2,22	0,39	0,79	2,00	2,91	3,27	2,70

Dimensions as per selected casing. PCB (as PBB) dimensions page 4; PCZ (as PBZ) dimensions page 5.

