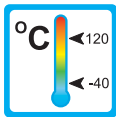


# Flow Monitor

## SPM



### Areas of Application

#### Method of Operation

- Paddle

#### Areas of Application

- Cooling systems and cooling circuits
- Heating plants and air conditioners
- Research and development
- Protection against dry running

#### Features

- Low sensitivity to dirt
- High switch accuracy
- Easy installation
- Low pressure drop

#### Installation information

- The operating instructions for SPM must be observed
- Download: [www.meister-flow.com](http://www.meister-flow.com)

### Operating Data

Operating pressure max. 11 bar (brass version)  
30 bar (stainless steel version)

Maximum temperature 120 °C

### Measuring Ranges

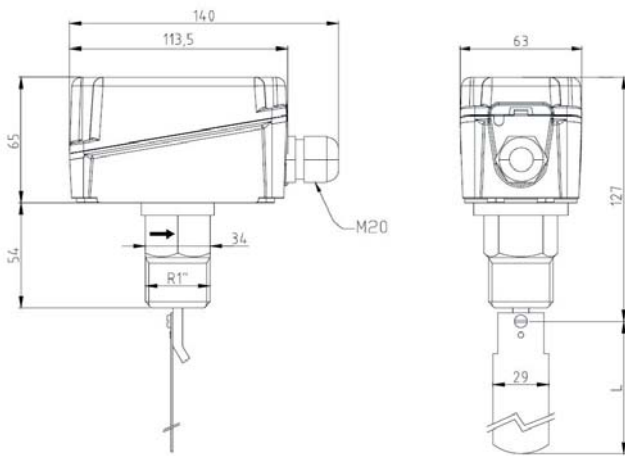
see table on page 2

SPM 1 0002 03-11 E M



# Technical Data

## Technical Drawing



**Table 1: Overview**

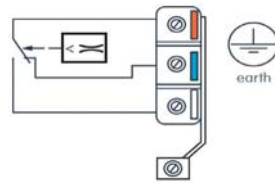
Type	Pipe size	p <sub>max</sub> [bar]	Material
SPM-15	1/2"	11	Brass
SPM-20	3/4"	11	Brass
SPM-25	1" - 8"	11	Brass
SPM-25 VA	1" - 8"	30	Stainless steel AISI 316L
SPM-25R	1" - 8"	11	Brass
SPM-25R VA	1" - 8"	30	Stainless steel AISI 316L

**Table 2: Paddle lengths and paddle material**

Paddle	Length L	Material
1	standard (as of DN 50): 28,5 mm	Stainless steel AISI 316L
	with DN 25 the paddle must be cut to size	
2	standard: 54,5 mm	Stainless steel AISI 316L
3	standard: 83,5 mm	Stainless steel AISI 316L
4	standard (ab DN 175): 161,5 mm	Stainless steel AISI 316L
	*Special length for DN 100: 92,0 mm	
	*Special length for DN 125: 117 mm	
	*Special length for DN 150: 143 mm	

\*By shorten the standard paddle, the user can obtain the special lengths

## Wiring diagram



red: common

blue: N. C. (Normally closed)

white: N. O. (Normally open)

For switch values refer to table 3.

The instruments are factory adjusted for minimum switch values.

By turning the spanscrew clockwise the switch values can be increased (refer to operating instruction).

**Table 3: Switch values for H<sub>2</sub>O**

Types: SPM-15 (with T-fitting), SPM-20 (with T-fitting)					switch-off value [l/h]	switch-on value [l/h]
Type	Connection					
SPM-15	1/2"				174 - 846	480 - 948
SPM-20	3/4"				138 - 768	408 - 858
Types: SPM-25, SPM-25 VA						
DN	fitted paddle			switch-off value [m <sup>3</sup> /h]	switch-on value [m <sup>3</sup> /h]	
25	1			0,6 - 2,0	1,0 - 2,1	
32	1			0,8 - 2,8	1,3 - 3,0	
40	1			1,1 - 3,7	1,7 - 4,0	
50	1	2		2,2 - 5,7	3,1 - 6,1	
65	1	2		2,7 - 6,5	4,0 - 7,0	
80	1	2	3	4,3 - 10,7	6,2 - 11,4	
100	1	2	3	11,4 - 27,7	14,7 - 29,0	
100	1	2	3 4	6,1 - 17,3	8,0 - 18,4	
125	1	2	3	22,9 - 53,3	28,4 - 55,6	
125	1	2	3 4	9,3 - 25,2	12,9 - 26,8	
150	1	2	3	35,9 - 81,7	43,1 - 85,1	
150	1	2	3 4	12,3 - 30,6	16,8 - 32,7	
200	1	2	3	72,6 - 165,7	85,1 - 172,5	
200	1	2	3 4	38,6 - 90,8	46,5 - 94,2	
Types: SPM-25R, SPM-25R VA						
DN	fitted paddle			switch-off value [m <sup>3</sup> /h]	switch-on value [m <sup>3</sup> /h]	
25	1			0,2 - 1,0	0,6 - 1,1	
32	1			0,25 - 1,4	0,9 - 1,6	
40	1			0,5 - 1,6	1,2 - 2,2	
50	1	2		0,9 - 3,6	2,3 - 4,1	
65	1	2		1,2 - 4,9	3,1 - 5,5	
80	1	2	3	2,1 - 7,4	4,9 - 8,2	
100	1	2	3	4,9 - 17,1	11,3 - 19,1	
100	1	2	3 4	3,3 - 11,6	7,7 - 13,0	
125	1	2	3	9,7 - 34,0	22,4 - 37,9	
125	1	2	3 4	5,0 - 17,5	11,5 - 19,6	
150	1	2	3	13,6 - 47,6	31,5 - 53,2	
150	1	2	3 4	6,1 - 21,4	14,1 - 23,9	
200	1	2	3	25,7 - 90,1	59,6 - 100,7	
200	1	2	3 4	21,7 - 55,3	36,5 - 61,8	

SPM\_2\_0002\_03-11\_E\_M

## Technical Data

Housing:	Base in ABS, transparent PC cover	Protection:	IP65
Contact:	Dust-tight micro switch	Switch values:	15 (8) A, 24 - 250 V AC
Medium temperature:	-40 °C to 120 °C	Ambient temperature:	-40 °C to 85 °C
Weight:	950 g		

