

## Flow Switch

# SPM-L

AIR



## OVERVIEW

### Operation

- Paddle

### Application

- Air ducts
- Heating and air-conditioning systems
- Research & Development

### Features

- Universal orientation
- High contact rating
- Low sensitivity to dirt
- Easy installation
- Low pressure drop

### Installation information

- The operating instructions for SPM-L must be observed!
- **Download: [www.meister-flow.com](http://www.meister-flow.com)**

## ■ OPERATING DATA

<b>Operating pressure, max.</b>	11 bar
<b>Media temperature</b>	-10 °C - 85 °C
<b>Ambient temperature</b>	-10 °C - 85 °C

## ■ SWITCHING RANGE

<b>Type</b>	<b>Switch range for air at 1 bar abs. &amp; 20 °C m/s</b>
-------------	---

### **SPM-L:**

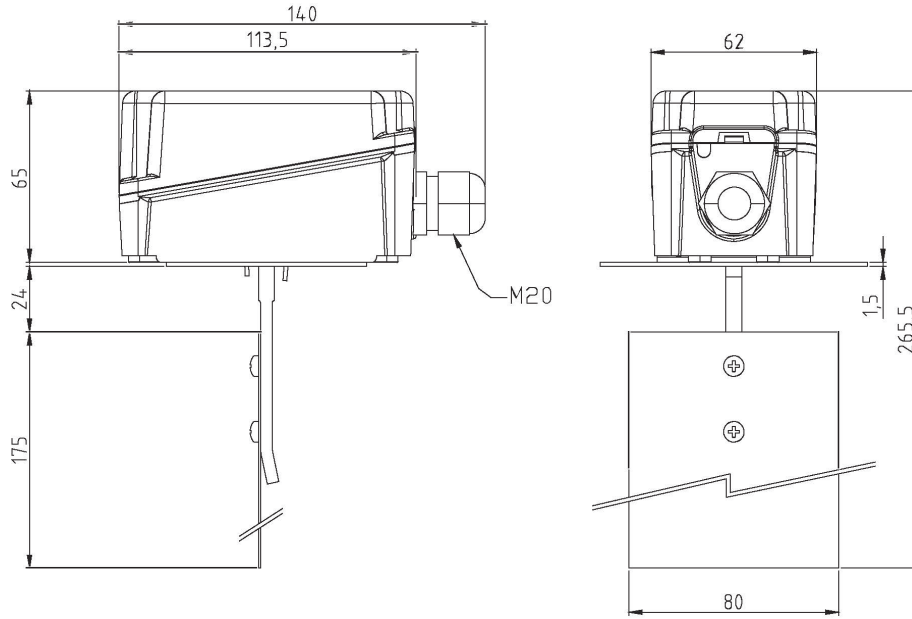
switch-off value (min - max)	1 – 8
switch-on value (min - max)	2,5 – 9,2

If the switchpoint is above 5 m/s the paddle has to be cut off at the marking. The lowest switch-off value will then increase to 2,5 m/s flow velocity.

## ■ MATERIALS

Paddle:	1.4310
Mounting plate:	Brass
Housing:	ABS lower part with polycarbonate lid

## TECHNICAL DRAWING



## ELECTRICAL DATA

### Dust tight micro switch

**Switch values** 15(8)A · 24 - 250 V AC

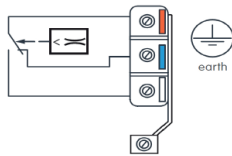
## ELECTRICAL CONNECTION

- Terminal for cable connection

### Ingress Protection

IP65: on the external side

## CONNECTION DIAGRAM



### Color code

common	red
N.C. (Normally closed)	blue
N.O. (Normally open)	white

Switch values are listed in the switching range tables.

The devices are factory adjusted to minimum switch values.

By turning the measuring range screw clockwise the switch values can be increased (refer to operating instructions).



# MASTERPIECES MADE IN GERMANY

SPM-L 4 0001 12-15 E M

Meister Strömungstechnik GmbH • Im Gewerbegebiet 2 • 63831 Wiesen / Germany  
Tel. +49 (0) 6096 9720-0 • Fax +49 (0) 6096 9720-30 • sales@meister-flow.com • www.meister-flow.com  
The general business terms of Meister Strömungstechnik GmbH are valid • All rights reserved

