

Flow Monitor

RVM/U



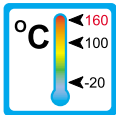
Operation

The flow monitors type RVM/U operate with the float measuring principle



Application

The flow monitors type RVM/U are used for measuring volumeflow of liquid media.



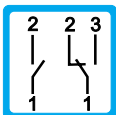
Areas of application:



– Coolingsystems and cooling-circuits



– Mechanical Engineering
e.g. Weldingmachinery,
Laserplants



– Medicine technology



– Pharma industry



– Chemical industry

– Research and development

Features

The RVM/U series proves itself through reliable function and easy handling. Further characteristics of this sturdy type are:

- univseral mounting
- high switch accuracy
- infinitely variable switchpoint adjustment through user
- EX-version to ATEX for RVM/U-1... and for RVM/U-2... available
- high pressure resistance
- Threaded connection
Special threads on request

Installation hints

The installation of the flow monitor can be done in any way in the system. The flow direction must be observed.

The flow monitor must not be used as a supporting part in a pipeconstruction!

The medium must not contain any solid particles!
We recommend the installation of strainers type SFD or SFM.

External magnetic fields influence the switch contact. Keep adequate distance to those magnetic fields (e.g. electromotors)!

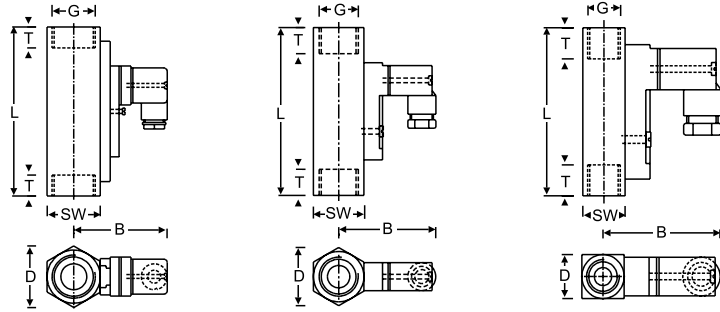
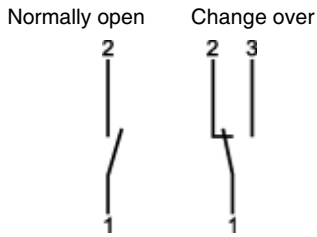
The operating instruction for RVM/U must be observed under any circumstances!

RVM/U 1 0001 08-04 E M



Measuring Ranges, Technical Data

Connection diagram:



Summary of types RVM/U

Type	Range* l/min H ₂ O	Overall dimensions mm							Weight approx. [g]
		SW	D	B	G	DN	T	L	
RVM/U-4/01	0,005 - 0,06	17	17	47	1/4"	8	10	65	140
RVM/U-4/02	0,02 - 0,14								
RVM/U-4/06	0,1 - 0,6								
RVM/U-4/1	0,2 - 1,2								
RVM/U-4/2	0,4 - 2,0								
RVM/U-4/3	0,5 - 3,0								
RVM/U-4/5	1,0 - 5,0	27	31	52	1/2"	15	14	90	350
RVM/U-2/02	0,02 - 0,2								
RVM/U-2/06	0,1 - 0,6								
RVM/U-2/1	0,4 - 1,8								
RVM/U-2/3	0,8 - 3,2								
RVM/U-2/7	2 - 7								
RVM/U-2/13	3 - 13	41	47	76	3/4"	20	21	152	1200
RVM/U-2/20	4 - 20								
RVM/U-2/30	8 - 30								
RVM/U-1/30	11 - 30								
RVM/U-1/45	15 - 45								
RVM/U-1/60	20 - 60								
RVM/U-1/90	30 - 90	41	47	76	1"	25	17	130	1050
RVM/U-1/150	60 - 150								

* Other switch ranges on request

Operating data	RVM/U-1	RVM/U-2	RVM/U-4
Operating pressure: Brass	PN 250 bar	PN 300 bar	PN 300 bar
Operating pressure: Stainless Steel	PN 300 bar	PN 350 bar	PN 350 bar
Pressure drop:	0,02 - 0,4 bar	0,02 - 0,3 bar	0,02 - 0,2 bar
Maximum temperature:	100 °C (optional 160 °C)		
Accuracy:	10% of full scale		
Electrical data			
Normally open:	max. 250V • 3A • 100VA	max. 230V • 3A • 60VA	max. 200V • 1A • 20VA
Change over:	max. 250V • 1,5A • 50VA	max. 250V • 1,5A • 50VA	max. 200V • 1A • 20VA
Atex II 2G EEx m II T6	(only for RVM/U-1 / RVM/U-2)	Change over: 250V • 1A • 30VA, IP67 / Normally open: 250V • 2A • 60 VA, IP67	
EEx m II T6	(only for RVM/U-1 / RVM/U-2)	Change over: 250V • 1A • 30VA, IP67 / Normally open: 250V • 2A • 60 VA, IP67	
EEx ia IIC T6	(only for RVM/U-1 / RVM/U-2)	Change over / Normally open: 45V • 1A, IP67	
Protection type:	IP65 (plug connection DIN 43650 Form A or C) IP67 (1m sealed in cable, with EEx-version 2m)		
Output signal:	The contact opens / changes, when the flow falls below the set point.		
Power supply:	Not required (potentialfree reed contacts)		
other plug types or cable lengths on request			
Material	Brass	Stainless Steel	
Wetted parts:	Brass	1.4571	
Spring:	(wetted part) 1.4571	1.4571	
Magnets:	(wetted part) Hardferrit	Hardferrit	
Housing:	(wetted part) Brass nickel-plated	1.4571	

RVM/U 2 0005 08-04 E IM

