

FLOW METER

Model HV, HK, HT

The model H is a moderately priced variable area flow meter for liquid and gas flow measurements. It has an injection moulded flow tube and threaded or socket type connections.

FEATURES

- Low cost
- Good corrosion resistance
- Large variety of flow ranges
- Threaded or socket type connections

TYPICAL APPLICATIONS

- Process industry
- Chemical industry
- Water treatment plants
- Flow measurement in PVC piping
- General liquid and gas measurement

OPTIONS

- Scale for alternative liquids and gases
- Special scale markings
- Viton® or EPDM seals
- Low and/or high flow alarm



Model HV



Model HK



Model HT

HV

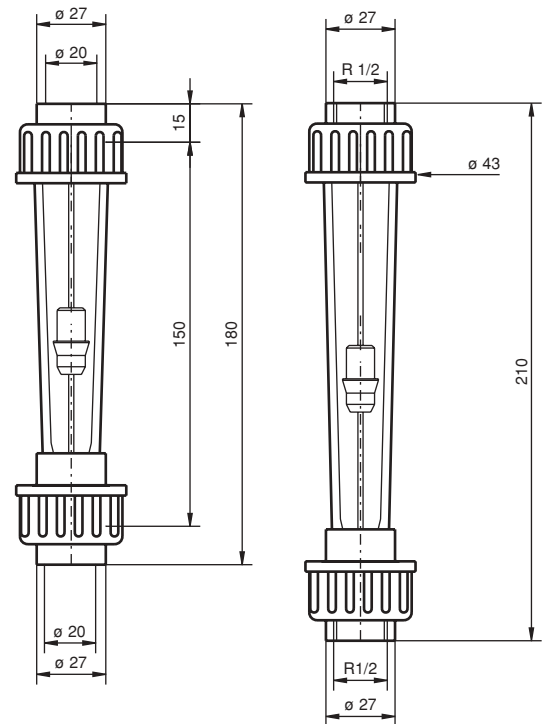


Technical data HV

Connection size	BSP/NPT 1/2" or 20 mm
Weight	120 g
Max. pressure	10 bar / 20 °C (* 10 bar / 80 °C)
Max. temperature	50 °C / 2 bar (* 120 °C / 2 bar)
Flow tube	Grilamid (PA-12) (* PES)
Connectors	PVC (* AISI 316, PVDF)
Float	AISI 329 or AISI 329/PTFE (depending on range)
Seals	Nitrile (* Viton®, EPDM)
Accuracy	± 5 % F.S. (H ₂ O, +20 °C)

*) Special construction on request

H	V	-	-	
				Special feature
	V			PES flowtube
	W			PES flowtube, Viton® -seals
	X			Viton® -seals
				Scale
	C			H ₂ O (m ³ /h) at +20°C
	S			Air (Nm ³ /min) at +20°C / 101,3 kPa
				Flow range
				H₂O Air
	6H			0,02 - 0,11 m ³ /h 0,015 - 0,07 Nm ³ /min
	3H			0,04 - 0,2 m ³ /h 0,03 - 0,13 Nm ³ /min
	3K			0,075 - 0,3 m ³ /h 0,04 - 0,18 Nm ³ /min
	3L			0,15 - 0,5 m ³ /h 0,06 - 0,28 Nm ³ /min
	3M			0,15 - 0,6 m ³ /h 0,075 - 0,3 Nm ³ /min
	4D			0,2 - 1,0 m ³ /h 0,1 - 0,5 Nm ³ /min
	4E			0,2 - 1,3 m ³ /h 0,1 - 0,65 Nm ³ /min
	4F			0,3 - 1,8 m ³ /h 0,2 - 0,9 Nm ³ /min
				Connections
				Without PVC connectors
	H			Socket type connections, Ø20mm
	N			NPT1/2" connections
	R			BSP1/2" connections



HHV

HRV

MANUFACTURER

Kytola
INSTRUMENTS

KYTOLA OY • Olli Kytolan tie 1
P.O. Box 5 • FI-40951 MUURAME • FINLAND
Phone +358 14 339 0600 • Fax +358 14 631 419
E-mail sales@kytola.com • www.kytola.com

LOCAL REPRESENTATIVE

HK

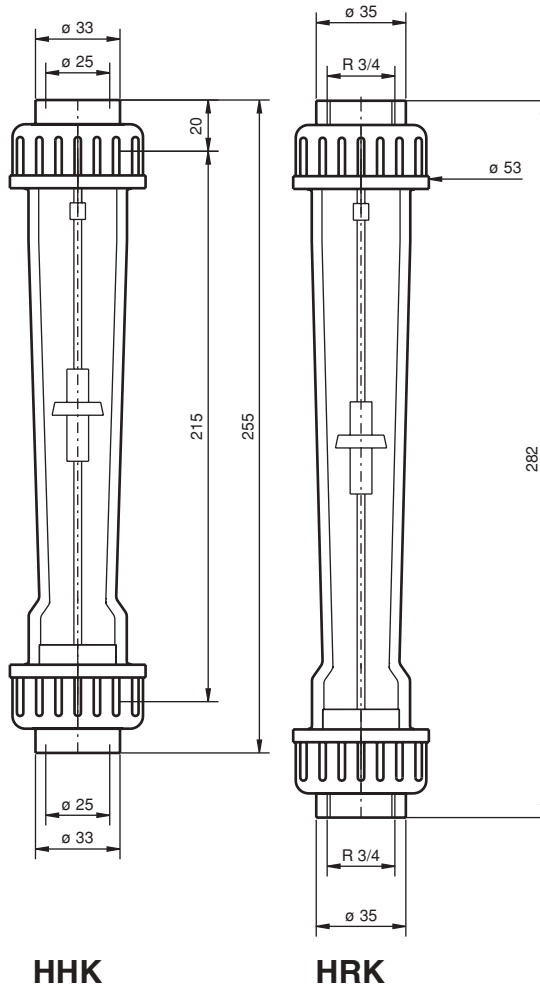


Technical data HK

Connection size	BSP/NPT 3/4" or 25 mm
Weight	280 g
Max. pressure	10 bar / 20 °C (* 10 bar / 80 °C)
Max. temperature	50 °C / 2 bar (* 120 °C / 2 bar)
Flow tube	Grilamid (PA-12) (* PES)
Connectors	PVC (* AISI 316, PVDF)
Float	AISI 329
Seals	Nitrile (* Viton [®] , EPDM)
Accuracy	± 5 % F.S. (H ₂ O, +20 °C)

*) Special construction on request

H	K	-	
			Special feature
		V	PES flowtube
		W	PES flowtube, Viton [®] -seals
		X	Viton [®] -seals
			Scale
		C	H ₂ O (m ³ /h) at +20 °C
		S	Air (Nm ³ /min) at +20 °C / 101,3 kPa
			Flow range
			H₂O Air
		4F	0,3 - 1,2 m ³ /h 0,14 - 0,6 Nm ³ /min
		4E	0,5 - 2 m ³ /h 0,25 - 1 Nm ³ /min
		4A	0,6 - 2,6 m ³ /h 0,25 - 1,2 Nm ³ /min
		4B	0,8 - 3,4 m ³ /h 0,4 - 1,7 Nm ³ /min
		4C	0,8 - 3,6 m ³ /h 0,4 - 1,8 Nm ³ /min
		4D	1 - 4,75 m ³ /h 0,4 - 2,2 Nm ³ /min
			Connections
			Without PVC connectors
		H	Socket type connections, Ø25mm
		N	NPT3/4" connections
		R	BSP3/4" connections



MANUFACTURER

Kytola
INSTRUMENTS

KYTOLA OY • Olli Kytolan tie 1
P.O. Box 5 • FI-40951 MUURAME • FINLAND
Phone +358 14 339 0600 • Fax +358 14 631 419
E-mail sales@kytola.com • www.kytola.com

LOCAL REPRESENTATIVE



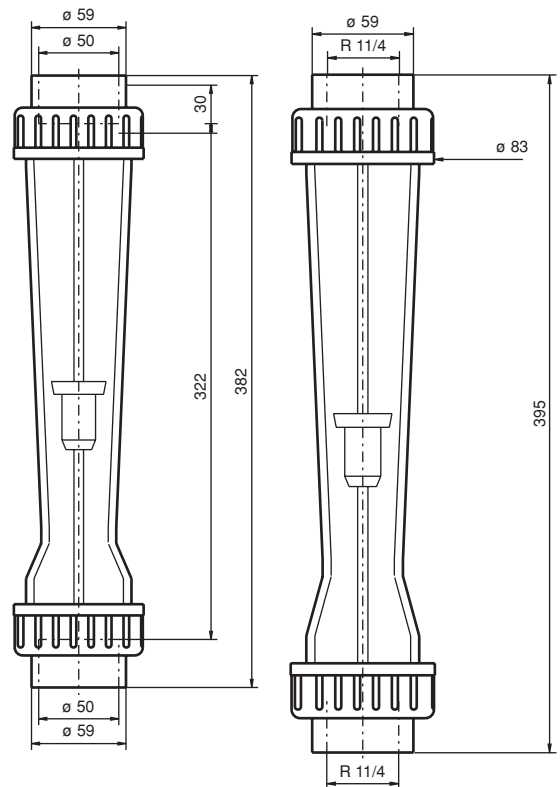
Technical data HT

HT

Connection size	BSP/NPT 1 1/4" or 50 mm
Weight	980 g
Max. pressure	10 bar / 20 °C (* 10 bar / 80 °C)
Max. temperature	50 °C / 2 bar (* 120 °C / 2 bar)
Flow tube	Grilamid (PA-12) (* PES)
Connectors	PVC (* AISI 316, PVDF)
Float	AISI 329 or PTFE (depending on range)
Seals	Nitrile (* Viton® , EPDM)
Accuracy	± 5 % F.S. (H ₂ O, +20 °C)

*) Special construction on request

H	T			
Special feature				
		V	PES flowtube	
		W	PES flowtube, Viton® -seals	
		X	Viton® -seals	
Scale				
		C	H ₂ O (m ³ /h) at +20°C	
		S	Air (Nm ³ /min) at +20°C / 101,3 kPa	
Flow range				
			H₂O	Air
		4E	0,5 - 3 m ³ /h	0,35 - 2 Nm ³ /min
		4A	0,6 - 6,4 m ³ /h	0,4 - 3 Nm ³ /min
		4F	0,5 - 9,5 m ³ /h	0,5 - 4,25 Nm ³ /min
		4B	1,5 - 12 m ³ /h	1 - 6 Nm ³ /min
		4C	2 - 18 m ³ /h	1 - 8,5 Nm ³ /min
		4D	4 - 22 m ³ /h	2 - 14 Nm ³ /min
Connections				
			Without PVC connectors	
		H	Socket type connections, Ø50mm	
		N	NPT11/4" connections	
		R	BSP11/4" connections	



HHT

HRT

MANUFACTURER

Kytola
INSTRUMENTS

KYTOLA OY • Olli Kytolan tie 1
P.O. Box 5 • FI-40951 MUURAME • FINLAND
Phone +358 14 339 0600 • Fax +358 14 631 419
E-mail sales@kytola.com • www.kytola.com

LOCAL REPRESENTATIVE