

FLOW METER

Model A, C, D

Variable area flow meter models A, C, and D are clear, easy to read acrylic flow meters. They are reliable instruments for measuring and monitoring liquid and gas flows.



Model A



Model C



Model D

FEATURES

- Machined acrylic body
- Clear, easy to read scale

TYPICAL APPLICATIONS

- Water treatment
- Sealing water measurements
- Gas flow measurements

OPTIONS

- Scale for alternative liquids and gases
- Special scale markings
- Thread adapters



Technical data A

Connections

BSP 3/8", Thread adapters must be used for NPT-connections

Weight

190 g

Body

Acrylic (PMMA)

Max. pressure

20 bar (30 bar/30 °C)

Max. temperature

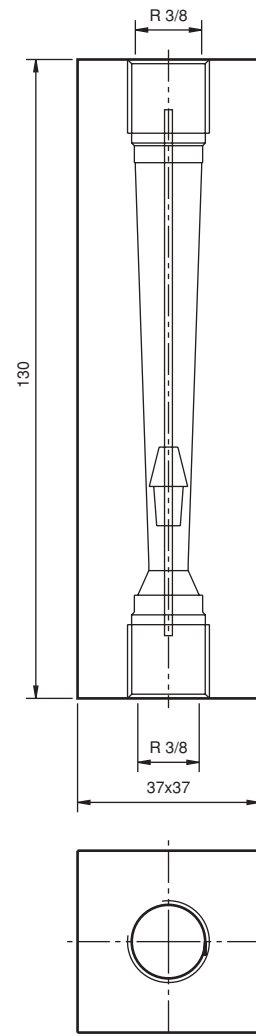
75 °C

Accuracy

± 5 % F.S (H₂O, 20 °C)

A

A-		
		Scale
A	H ₂ O (l/min) at +20°C	
R	Air (NI/min) at +20°C / 101,3 kPa	
	Flow range	
	H₂O	Air
2K	2 - 20 ml/min	0,1 - 0,9 NI/min
2A	4 - 34 ml/min	0,1 - 1,3 NI/min
2B	5 - 60 ml/min	0,2 - 2 NI/min
2C	10 - 95 ml/min	0,4 - 2,8 NI/min
3K	0,01 - 0,13 l/min	0,5 - 6,5 NI/min
3A	0,02 - 0,22 l/min	0,5 - 8 NI/min
3B	0,02 - 0,36 l/min	1 - 11 NI/min
3C	0,05 - 0,5 l/min	1 - 14 NI/min
8M	0,1 - 1,1 l/min	4 - 30 NI/min
8P	0,2 - 1,8 l/min	5 - 50 NI/min
8S	0,2 - 2,6 l/min	5 - 75 NI/min
8R	0,25 - 3 l/min	10 - 90 NI/min
5A	0,5 - 5 l/min	10 - 150 NI/min
8D	0,5 - 6,5 l/min	20 - 220 NI/min



Note, thread adapters must be used for NPT-connections

MANUFACTURER

Kytola
INSTRUMENTS

KYTOLA OY • Olli Kytolan tie 1
P.O. Box 5 • FI-40951 MUURAME • FINLAND
Phone +358 14 339 0600 • Fax +358 14 631 419
E-mail sales@kytola.com • www.kytola.com

LOCAL REPRESENTATIVE



Technical data C

Connections

BSP 3/4", Thread adapters must be used for NPT-connections

Weight

510 g

Body

Acrylic (PMMA)

Max. pressure

20 bar (30 bar/30 °C)

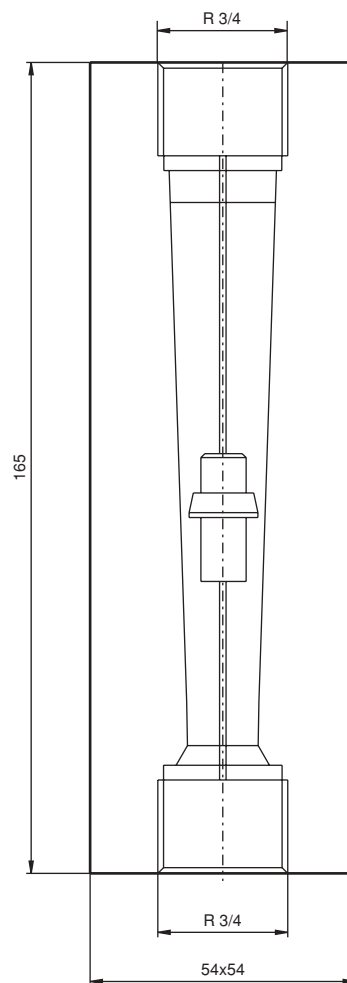
Max. temperature

75 °C

Accuracy

± 5 % F.S (H₂O, 20 °C)

C -			
			Scale
	A	H ₂ O (l/min) at +20°C	
	R	Air (NI/min) at +20°C / 101,3 kPa	
			Flow range
		H₂O	Air
	4A	0,5 - 5 l/min	20 - 200 NI/min
	4B	1,5 - 8,5 l/min	25 - 250 NI/min
	4C	1 - 10 l/min	25 - 300 NI/min
	4D	2 - 16 l/min	75 - 450 NI/min
	4E	2 - 20 l/min	50 - 600 NI/min
	4F	5 - 30 l/min	100 - 1000 NI/min



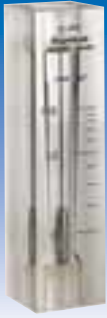
Note, thread adapters must be used for NPT-connections

MANUFACTURER



KYTOLA OY • Olli Kytolan tie 1
 P.O. Box 5 • FI-40951 MUURAME • FINLAND
 Phone +358 14 339 0600 • Fax +358 14 631 419
 E-mail sales@kytola.com • www.kytola.com

LOCAL REPRESENTATIVE



Technical data D

Connections

BSP 1", Thread adapters must be used for NPT-connections

Weight

620 g

Body

Acrylic (PMMA)

Max. pressure

20 bar (30 bar/30 °C)

Max. temperature

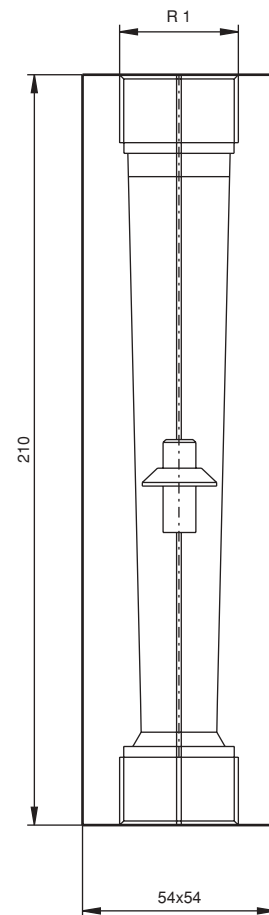
75 °C

Accuracy

± 5 % F.S (H₂O, 20 °C)

D

D -		
		Scale
	A	H ₂ O (l/min) at +20°C
	R	Air (NI/min) at +20°C / 101,3 kPa
		Flow range
		H₂O Air
	4A	7,5 - 40 l/min 200 - 1200 NI/min
	4B	7,5 - 50 l/min 200 - 1400 NI/min
	4C	10 - 60 l/min 300 - 1500 NI/min
	4D	10 - 80 l/min 300 - 2100 NI/min
	4E	10 - 100 l/min 500 - 2500 NI/min



Note, thread adapters must be used for NPT-connections

MANUFACTURER

Kytola
INSTRUMENTS

KYTOLA OY • Olli Kytolan tie 1
P.O. Box 5 • FI-40951 MUURAME • FINLAND
Phone +358 14 339 0600 • Fax +358 14 631 419
E-mail sales@kytola.com • www.kytola.com

LOCAL REPRESENTATIVE