

OVAL GEAR METER

Model 295x



Model 2950



Model 2951

Kytola® Oval Gear Meter models 2950 and 2951 are designed for the accurate measurement and monitoring of lubrication oils and other viscous fluids to meet the needs of process industries.

The flow meter consists of two elliptical gears which the flow rotates. The rotation speed is proportional to the flow rate. This rotation is picked up by an inductive proximity sensor or a coil sensor (compatible with Kytola® measuring station) and the pulse signal can be transferred to indicators, counters or automation systems.

FEATURES

- Several flow ranges
- Large viscosity range 30 - 1000 cSt
- Independent of viscosity changes
- Sturdy construction
- Pulse output

TYPICAL APPLICATIONS

- Lubricant monitoring
- Industrial flow monitoring
- Process control

OPTIONS

- With or without valve
- BSP or NPT -connections
- Alternative sensors

2950

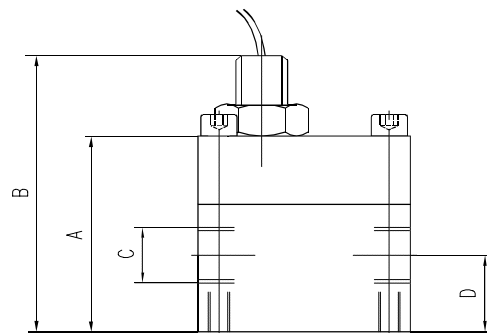
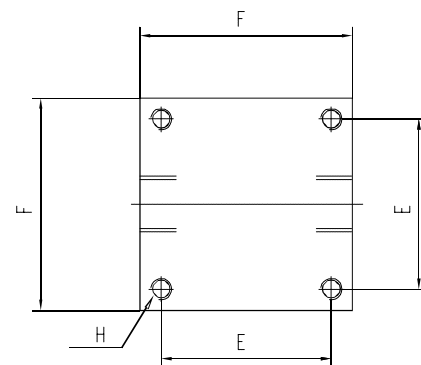
Technical data 2950



Model	2950-1-	2950-2-	2950-5-	2950-10-	2950-20-	2950-30-	2950-60-	2950-100-
Output (pulses/l)	820	450	300	125	74.5	49.5	22	12.5
Weight	265 g	255 g	280 g	1,1 kg	1,1 kg	1,5 kg	3,4 kg	12 kg
Connections	1/4"	1/4"	1/4"	3/4"	3/4"	3/4"	1"	1 1/2"
Gears	Plastic or Brass (depending on range)							
Body	Aluminium							
Cover	Trogamid-T (* Aluminium)							
Seals	Viton®							
Sensor	Namur; DIN 19234 (* Other types of inductive prox. sensor)							
Max. pressure	10 bar							
Max. temp.	+ 80°C							
Viscosity range	30 - 1000 cSt							
Accuracy	± 5 % of reading							

*) Special construction on request

2950 -	
-A	
-	
-	
-	
-	
Sensor	
	NAMUR -sensor
D	Without sensor (M12x1 thread)
F	PNP/NPN -sensor (2 -wire)
P	PNP -sensor (3 -wire)
T	NPN -sensor (3 -wire)
C	Coil -sensor (compatible with Kytola measuring stations)
Connections	
	BSP - threads
N	NPT - threads
Cover	
A	Aluminium cover
T	Trogamid cover
Gears	
K	Plastic gears (1...5 l/min)
P	Brass gears (10...100 l/min)
Flow range	
1	0,1 - 1 l/min
2	0,2 - 2 l/min
5	0,5 - 5 l/min
10	1 - 10 l/min
20	2 - 20 l/min
30	3 - 30 l/min
60	6 - 60 l/min
100	10 - 100 l/min



	A	B	C	D	E	F	H
2950-1-AKT	41	60	BSP 1/4"	13	40	50	M 5
2950-2-AKT	41	60	BSP 1/4"	13	40	50	M 5
2950-5-AKT	46	65	BSP 1/4"	18	40	50	M 5
2950-10-APT	67	82	BSP 3/4"	27	60	80	M 8
2950-20-APT	67	82	BSP 3/4"	27	60	80	M 8
2950-30-APT	87	102	BSP 3/4"	29	60	80	M 8
2950-60-APT	97	107	BSP 1"	42	92	120	M 10
2950-100-APT	109	109	BSP 1 1/2"	36	160	200	M 12

MANUFACTURER

Kytola
INSTRUMENTS

KYTOLA OY • Olli Kytolan tie 1
P.O. Box 5 • FI-40951 MUURAME • FINLAND
Phone +358 14 339 0600 • Fax +358 14 631 419
E-mail sales@kytola.com • www.kytola.com

LOCAL
REPRESENTATIVE

2951

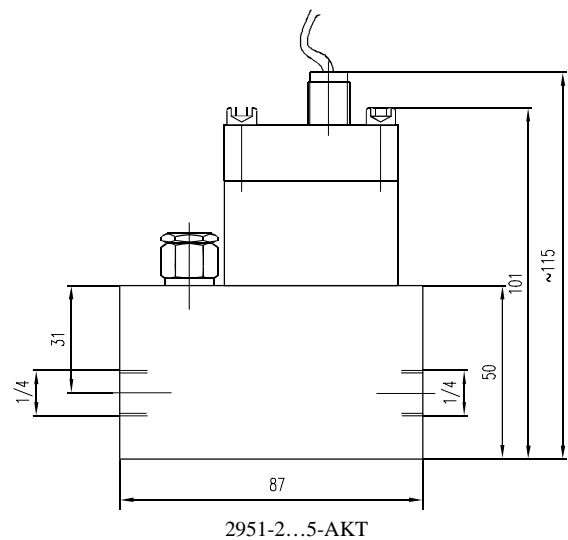
Technical data 2951



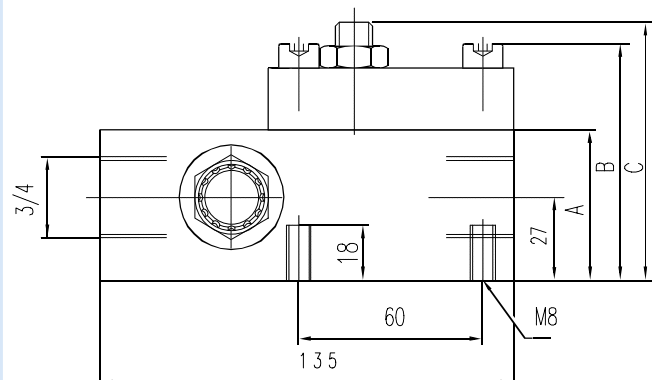
Model	2951-1-	2951-2-	2951-5-	2951-10-	2951-20-	2951-30-	2951-60-	2951-100-
Output (pulses/l)	820	450	300	125	74.5	49.5	22	12.5
Weight	910 g	900 g	880 g	1,8 kg	1,8 kg	2,5 kg	4,9 kg	13,5 kg
Connections	1/4"	1/4"	1/4"	3/4"	3/4"	3/4"	1 1/2"	1 1/2"
Gears	Plastic or Brass (depending on range)							
Body	Aluminium							
Cover	Trogamid-T (* Aluminium)							
Valve	AISI 316							
Seals	Viton®							
Sensor	Namur; DIN 19234 (* Other types of inductive prox. sensor)							
Max. pressure	10 bar							
Max. temp.	+ 80°C							
Viscosity range	30 - 1000 cSt							
Accuracy	± 5 % of reading							

*) Special construction on request

2951 -		-A	-	-	-
Sensor					
NAMUR -sensor					
D Without sensor (M12x1 thread)					
F PNP/NPN -sensor (2 -wire)					
P PNP -sensor (3 -wire)					
T NPN -sensor (3 -wire)					
C Coil -sensor (compatible with Kytola measuring stations)					
Connections					
BSP - threads					
N NPT - threads					
Cover					
A Aluminium cover					
T Trogamid cover					
Gears					
K Plastic gears (1...5 l/min)					
P Brass gears (10...100 l/min)					
Flow range					
1	0,1 - 1 l/min				
2	0,2 - 2 l/min				
5	0,5 - 5 l/min				
10	1 - 10 l/min				
20	2 - 20 l/min				
30	3 - 30 l/min				
60	6 - 60 l/min				
100	10 - 100 l/min				



2951-2...5-AKT



	A	B	C
2951-10-APT	49	77	82
2951-20-APT	49	77	82
2951-30-APT	69	97	102

MANUFACTURER

Kytola
INSTRUMENTS

KYTOLA OY • Olli Kytolan tie 1
P.O. Box 5 • FI-40951 MUURAME • FINLAND
Phone +358 14 339 0600 • Fax +358 14 631 419
E-mail sales@kytola.com • www.kytola.com

LOCAL
REPRESENTATIVE