

# EchoWave® LG10-11

Guided Wave Radar Level Transmitter



## Application

Offered with three probe types, the general purpose guided wave transmitter provides continuous level measurement up to 18' (5.5m) with a 4-20 mA signal output, and is configured via our free WebCal® software. This liquid level sensor is applied in non-turbulent environments with foam, vapor, condensation, temperature or pressure. Select the rod or cable probe for use with clean, dirty, coating or crystallizing liquids in above grade metal or below grade tanks of any material. Select the coaxial probe for use with clean, non-coating or crystallizing liquids in above or below grade tanks of any material. Standard probe lengths may be user cut in the field. Typical applications include small bulk storage, day tank, skid or machine, IBC or drum, process tank, cooling tower and waste sumps.



## Features

- Offered in 3 probe types for measurement up to 18' (5.5m)
- Configuration is easy via WebCal software and USB adapter
- Rugged 316L stainless steel probe and process mount
- 4" (10cm) dead band enables utilization of the entire tank
- Disturbance scan maps and rejects false echo signal returns
- Rugged NEMA 4 aluminum enclosure with 316L process mount
- Self diagnostics with five selectable fail-safe signal outputs
- Automatic temperature compensation for accurate measurement

## Success

Sintering is the process of compacting and forming a solid mass of material by extreme heat and pressure without melting it to the point of liquification. Its commonly used in the manufacturing of metals, ceramics and other materials, where process temperatures can easily exceed 400 degrees. Here, a LG10 is installed in a waste sump at a metal manufacturing plant. The guided wave sensor is unaffected by the high temperature, condensation and foam.



# EchoWave® LG10-11

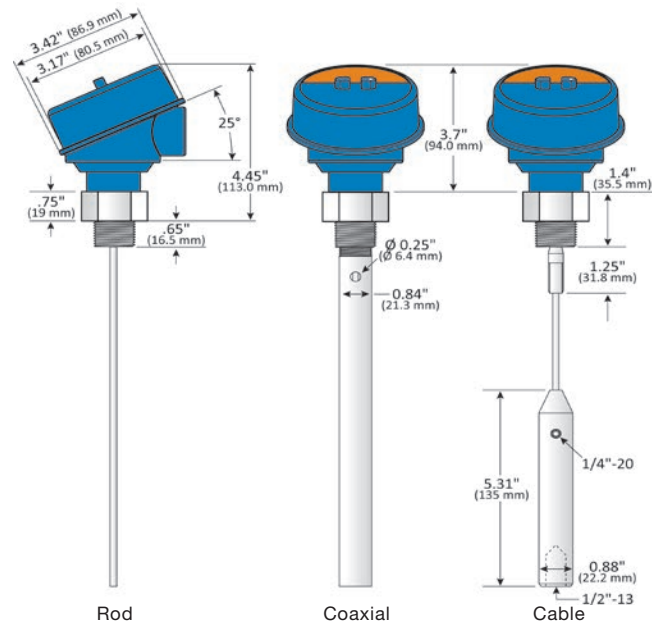
Guided Wave Radar Level Transmitter



## Specifications

<b>Range:</b>	Rod & coaxial: 9.8' (3m) Cable: 18' (5.5m)
<b>Accuracy:</b>	± 3mm
<b>Dead band:</b>	Top: 4" (10cm) Bottom: 2" (5cm)
<b>Repeatability:</b>	< 2mm
<b>Resolution:</b>	< 2mm
<b>Configuration:</b>	WebCal® PC Windows® USB 2.0
<b>Supply voltage:</b>	10-30 VDC
<b>Max. consumption:</b>	< 50mA @ 24 VDC
<b>Signal output:</b>	4-20mA, 3-wire
<b>Signal fail-safe:</b>	4mA, 20mA, 21mA, 22mA or hold last
<b>Dielectric:</b>	> 1.8
<b>Process temp.:</b>	F: -40° to 302° C: -40° to 150°
<b>Ambient temp.:</b>	F: -40° to 185° C: -40° to 85°
<b>Pressure:</b>	-14.5 to 250 PSI (-1 to 17 bar)
<b>Enclosure rating:</b>	NEMA 4
<b>Encl. material:</b>	Aluminum
<b>Feed through mat.:</b>	316L SS & PEEK
<b>Conduit entrance:</b>	(1) 1/2" NPT connector
<b>Probe material:</b>	Rod: 316L SS Coaxial: 316L SS or galvanized Cable: 316 SS
<b>Process mount:</b>	3/4" NPT (3/4" G)
<b>Classification:</b>	General purpose
<b>Certification:</b>	cCSAus, NRTL
<b>Compliance:</b>	CE, CRN, RoHS

## Dimensions



## Configuration

The level sensor is configurable via our free WebCal PC software and Fob USB adapter. The sensors are offered with and without Fobs. Fobs are universal and can be used to configure any WebCal compatible product. Download your free copy of WebCal in English or Chinese.



## Ordering

LG1  -    3 - 0

<b>RANGE (1)</b>	<input type="text"/>
0	9.8' (3m)
1	18' (5.5m)
<b>PROBE TYPE (2) (3)</b>	<input type="text"/>
0	Rod probe
1	Coaxial probe
2	Cable probe
<b>PROBE MATERIAL (4)</b>	<input type="text"/>
0	316L (rod & coaxial) / 316 (cable)
1	Galvanized (coaxial)
<b>PROCESS MOUNT</b>	<input type="text"/>
0	NPT (US)
1	G (Metric)
<b>FOB USB ADAPTER (5)</b>	<input type="text"/>
0	No Fob
1	With Fob

## NOTES

- If you want help in selecting a sensor for your application, please go to our website and submit a Level Questionnaire. An engineer will review your requirements and suggest a product solution via email.
- Rod and cable probes may be installed in above grade metal and reinforced concrete tanks or below grade tanks of any material. Coaxial probes may be installed in tanks of any material, above or below grade.
- Probes are shipped in standard lengths with the rod and coaxial at 9.8' (3m), and cable at 18' (5.5m). Standard probe lengths may be field cut and reduced in length. To order a shorter probe length, indicate the dimension after the part number (i.e. LG10-0003-01-XX).
- Available only in the following configurations:  
Rod: LG10-00\_3 - 0\_  
Coaxial: LG10-1\_3 - 0\_  
Cable: LG11-20\_3 - 0\_
- The level sensor is configured via our WebCal software and one LI99-1001 Fob USB adapter. The level sensor is offered with and without a Fob. Fobs are universal and can be used to configure any WebCal compatible product. WebCal is a free download from our website.