



SENSORS &
CONTROLLERS



ANALYZERS
& SAMPLERS



LEVEL, FLOW
& PRESSURE



WEB APP &
DATA LOGGING



ACCESSORIES

4001 SERIES DATASHEET

MULTIPARAMETER PHOTOMETRIC ANALYSER



MAIN FEATURES

- Low operating and maintenance costs
- System calibration performed automatically at each measuring cycle
- Intuitive interface provides measurement status
- Create graphs to display measurements
- Internal data logger
- Peristaltic pump for high-precision reagent dosing
- Continuous monitoring of reagents via level sensors

APPLICATIONS

- Industrial
- Potable water
- Wastewater
- Food production
- Pharmaceutical
- Chemical

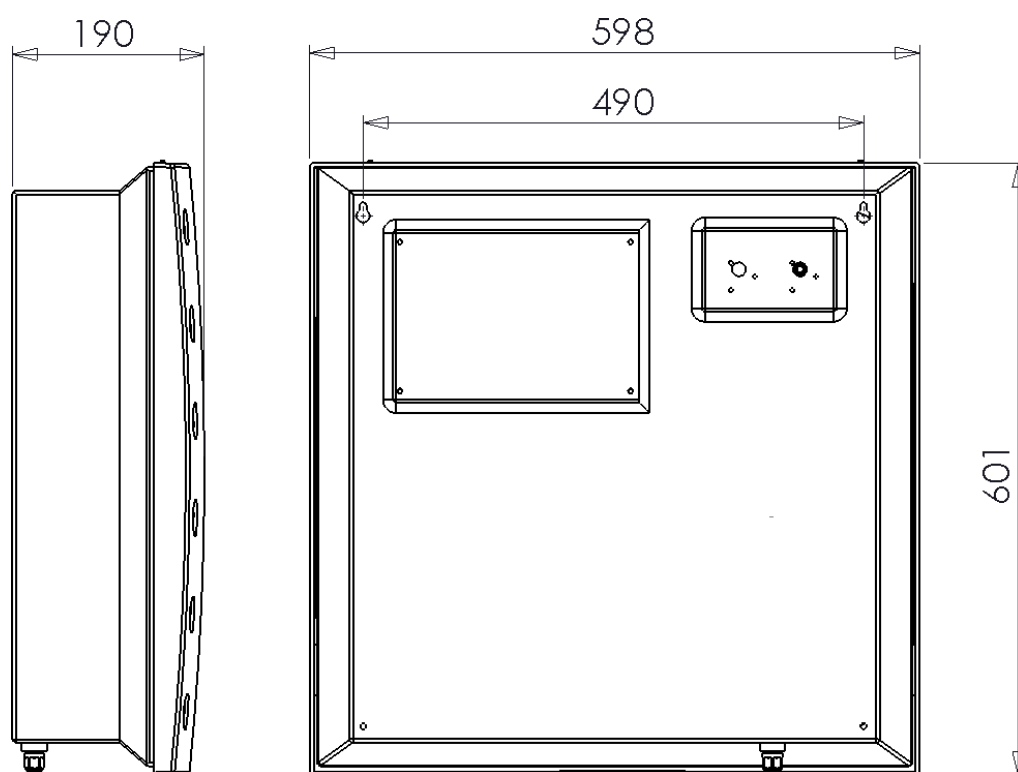
AVAILABLE MEASUREMENTS

- Free Chlorine
- Total Chlorine
- Chlorine Dioxide
- Ozone
- Peracetic Acid
- Bromine
- Combined version with: pH, ORP, Conductivity, Turbidity, Temperature

TECHNICAL DATA

Measuring ranges	Depending by the type of measure
Visualization	LCD STN 240x128 backlighted display. Visualization of: measurements, Digital outputs condition, storage condition, malfunctions, photometric measuring phase.
Programming	Through keyboard with 4 bubble keys
Internal Data Logger	Flash 4 Mbit storage equal to 16000 recordings Recording interval: 00:00 ÷ 99:99 min Type: circular / filling Visualisation: table/chart (1 for every parameter)
Analogue outputs	Typology: 0.00 / 4.00 ÷ 20.00 mA galvanically isolated Limit programming: lower / higher / Inversion Max load: 500 Ohm Output alarm according to NAMUR 2.4 mA (with range 4/20mA)
Relay Outputs of Set point nr.2	ON – OFF: 00.00 ÷ 05.00 ppm Cl ₂ Programming of Hysteresis and operational time: 000 ÷ 999 sec. Or daily activation on a hour basis: with programming of switching on and off hour ; Relay max resistive load 3A at 230Vac
Alarm Relay Output	ON-OFF cumulative for: Min/Max, set point delay, defects (lack of sample water, reagents exhaustion, burnt projector, dirty cell) Delay time: 00:00 ÷ 59:99 mm:ss at minimum step of 15 seconds Threshold disabling: active Relay functioning: closed / open Relays max resistive load 3A at 230Vac
Digital Input	Contact fed at 24Vdc for dose disabling
Analogue Input	0/4 ÷ 20mA for auxiliary measurements
RS485 Serial Output	MODBUS RTU protocol with programmable velocity 1200 ÷ 38400 Baud Rate. for set-up, Real Time condition, or data download
Functioning conditions	Operational Temperature 0÷50°C; Storage and Transportation -25÷65°C; Humidity 10-95% not condensed
Power Supply/Electric Protection	Power supply 85÷265Vac/dc 50-60Hz – Average absorption 66 W – Electric protection: UL6950-1 TUV EN60950 EN 55022 ClasseB EN61000 ENV50204 EN55024
Measuring cell	Photometric measuring cell with RS485 serial interface card. Black PVC body composed by two parts LED light emitting Silicium photosensor Hydraulic flow 60 l/h, max pressure 1 Bar Gravity discharge for clean water Gravity discharge for polluted water

DIMENSIONS



Dimensions (L x H x P)	598x601x190 mm
Total width	about 598mm
Total height (valves included)	about 601 mm

ORDER CODES

9780450010	4001-2/CL2 2ppm Photometric Unit: Free chlorine and temperature
9700450010	4001-2/CL2 5ppm Photometric Unit : Free chlorine and temperature
9710457000	4001-2/CL2 5ppm Photometric Unit: Free chlorine and temperature - For Sea water
9710450010	4001-2/CL2 TOT Photometric unit: Total Chlorine and temperature
9720450010	4001-2/CLO2 Photometric unit: Chlorine dioxide and temperature
9730450010	4001-2/O3 Photometric unit: Residual Ozone and temperature
9740450010	4001-2/PPA Photometric Unit: Peracetic acid and temperature
9760450010	4001-4 Multi-Parameter photometric unit for determination of: free chlorine, pH, ORP and T
9750450010	4001-3 Multi-Parameter photometric unit for determination of: free chlorine, pH, and temperature
9750453010	4001-3 Multi-Parameter photometric unit: free chlorine, pH, and temperature with cell in pressure
9770450010	4001-6 Multi-Parameter photometric unit: free, total and combined chlorine, pH, ORP and T
9760457010	4001-4 Multi-Parameter photometric: Total chlorine, pH, ORP and Temperature
9760455010	4001-4 Multi-Parameter photometric unit: free Chlorine, pH, Conductivity and Temperature
9770457010	4001-5 Multi-Parameter photometric unit: free, total and combined chlorine, pH and Temperature
9750451010	4001-3/Br Multi-Parameter photometric unit: Bromine, pH and Temperature
9760458010	4001-5 Multi-Parameter photometric unit: Free Chlorine, pH, Conductivity, Turbidity, Temp