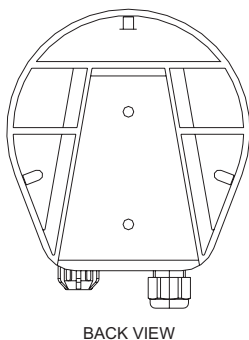
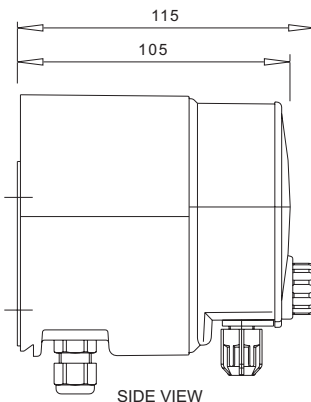
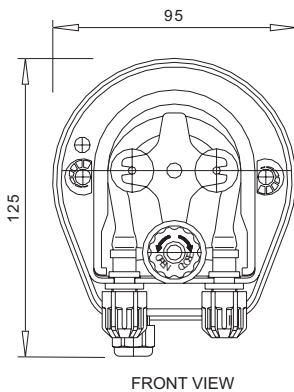


# PER Series Peristaltic Pumps



DOSING SYSTEMS



AQUA PER Series Peristaltic Pump is a reliable low cost solution, for light duty, chemical dosing applications.

Its compact size, and simple installation procedure (complete with wall mounting bracket) makes a versatile pump for installation which is also good in confined spaces. With IP65 rating, the AQUA PER Series Peristaltic Pump can be installed in outdoor applications.

The AQUA PER Series Peristaltic Pump is available in fixed speed and (0/100%) adjustable speed versions.

Utilizing an innovative front cover design there are a number of advantages from the standard peristaltic pumps currently available on the market:

- Front cover is locked in position with hand knob.
- When front cover is removed squeeze tube can be easily removed by hand. Due to the design of the front cover, the removal of the squeeze tube will not require the rotor to be rotated, (placing no stress on gearbox axle).
- Greater structural strength add durability as the rotor drive shaft is supported both above and below the rotor.

The AQUA PER Series Peristaltic Pumps come complete with water treatment installation kit consisting of:

- PP injection nozzle with Viton non-return sleeve valve (3/8" BSP).
- PP weighted foot filter with Viton Lip Valve.
- Sturdy wall mounting bracket with screws & plug.
- 2m of 4/6mm PVC suction tubing.
- 2m of 4/6mm PE rigid discharge tubing.

## General Specification

Power Supply: 230VAC 50Hz (12 & 24VDC available)

Dimension: 125(h)x95(w)x115(d)

Connectors: Polypropylene

Cover: Polycarbonate

Housing: Polypropylene

Enclosure: IP65

Squeeze Tube: Santoprene or Tygon

MODEL	FLOW (l/hr)	PRES. (bar)	Control	Tube Material	Power Supply
PER-RS 1,5.01	1.5	1	Fixed	Santoprene	240VAC
PER-RS 03.01	3	1	Fixed	Santoprene	240VAC
PER-R 01.03	1	3	0-100%	Tygon	240VAC
PER-R 04.01	4	1	0-100%	Santoprene	240VAC
PER-R 06.01	5	1	0-100%	Santoprene	240VAC
PER-RSdc 04.01	4	1	Fixed	Santoprene	24VDC
PER-RSdc 06.01	6	1	Fixed	Santoprene	24VDC