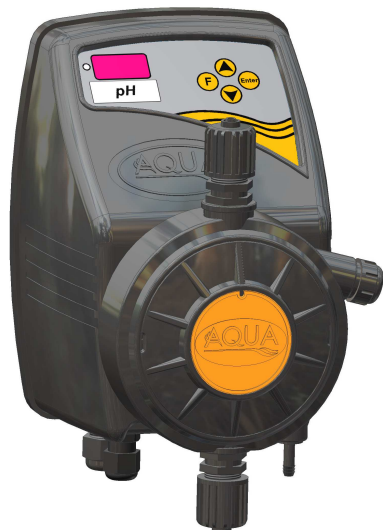


DOSING SYSTEM
Solenoid Driven Dosing Pumps

NEW HC797 PH

Technical Data Sheet
HC 797 series

KEY FEATURES



- Dosing pump with integral pH meter
- Microprocessor technology
- NEW UPDATED ELECTRONIC BOARD WITH ADDITIONAL EMC SAFETY FILTER
- SIMPLE AND FAST RESET CALIBRATION PROCEDURE
- One Proportional control set point
- pH measuring range: 0÷14 pH
- PTFE diaphragm, Double Ball valves
- Stroke frequency control
- Touch sensitive controls
- Dosing Head with integrated priming valve
- LED Display of pH reading
- Bracket & fixing kit for wall mounting
- Reinforced PP Plastic housing, IP65 rating
- Supplied with complete hose accessory and installation kits
- Provided standard with Low Level Facility (Switch not included – model required ADSLG)

The **HC797 PH** incorporates a **pH controller** with a single control set point which monitors the pH level of water. It's main purpose is to operate the pump if the pH level goes above or below the set point. This set point can be adjusted through from 0 - 14 pH and features a digital display of the pH value. External connections from the electrode are made via a BNC connector on the pump.

NEW HC797 PH is designed to feature dosing pumps duties and the functions of top quality pH controller.

PUMP FUNCTIONS, DOSING MODES AND CONTROLS

Digital controls: allows easy programming for both proportional and manual mode.

Manual mode: (F1) enables you to select the exact number of strokes, between 1-105 strokes per minute, mainly used to prime the pump.

Proportional mode : (L1) dictates the speed the pump will run proportional to the distance from the selected pH set point, once this set point is reached the dosing pump will automatically stop.

Level control: level switch stops the pump when chemical level runs low allowing the pump to stay primed.

LIQUID ENDS MATERIAL HC 797		
	Standard Version	Upon request
Pump head	PP	PVDF,PVC self degassing head
Diaphragm	PTFE	-----
Balls	GLASS PIREX	PTFE; CERAMIC
Connection fitting	PP	PVDF
Seals/O-rings	Viton®	Dutral®
Spring loaded injection valve:	Hasteooly/Pirex	Hastelloy /(PTFE CERAMIC)
Injection Fitting	PP	PVDF
Foot Valve/Filter Fitting	PP	PVDF
Suction Hose /Air Bleed hose	PVC	
Discharge Hose	PE	

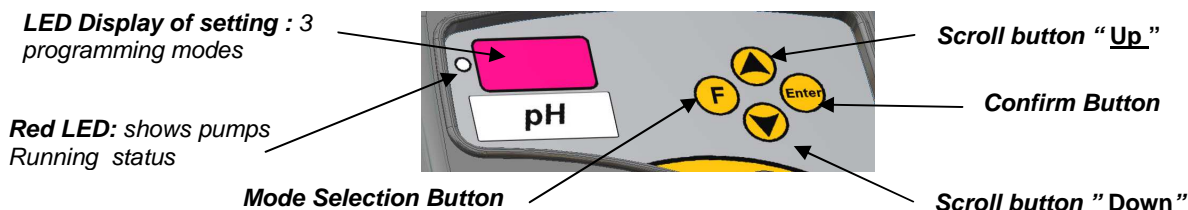
Viton®: FPM / Dutral®: EPDM, are registered trademarks of Dupont Elastomers

TECHNICAL CHARACTERISTICS HC797 SERIES

Model	Max Flow at		Stroke frequency per min.	Stroke volume ml / l	Hose size mm	Pump head model	Max suction lift m
	Max Pressure l/h	bar					
01-08	1	8	105	0,16	4x6	PP 3/8" 2-15	1,5
02-07	2	7	105	0,32	4x6	PP 3/8" 2-15	1,5
02-12	2	12	105	0,32	4x6	PP 3/8" 2-15	1,5
04-05	4	5	105	0,64	4x6	PP 3/8" 2-15	1,5
05-08	5	8	105	0,79	4x6	PP 3/8" 2-15	1,5

HC797 CURVES	Flow at max pressure		Flow at median pressure		Flow at 1 bar	
	l/h	bar	l/h	bar	l/h	bar
01-08	1	8	4,5	4	7,5	1
02-07	2	7	5	3,5	8	1
02-12	2	12	4	6	8	1
04-05	4	5	6,5	2,5	9	1
05-08	5	8	7	4	10	1

NOTE: All mentioned outputs refer to tests done having water temperature at 20°C with indicated counter pressure. Tolerance is calculated at ± 10 % at a constant pressure of ± 0,5 bars.



Power supply standard : 230 Vac-1 phase- 50/60 Hz / ± 10%

Power cable: 3 m grounded without plug

Ambient working temperature: 45°C

Recommended frequency adjustment: 10 +100%

Voltage working range: min.207V – Max 253 V

Reproducibility under standard conditions: ± 5%

Voltage Peak: Max 270 V

Plastic housing: PP reinforced

Wall mounting bracket: PP

HC797 PH is provided with Standard Hose Accessories Kit:

1 - Injection Valve, hastelloy spring, ball glass Pyrex

1,5 m - Air Bleed Hose PVC flexible (transparent)

2 m - Discharge Hose (white)

1 - Foot Valve/Filter

2 m - Suction Hose PVC flexible (transparent)

Screws and dibbles for pump mounting

DIMENSIONI - DIMENSIONS - DIMENSIONS - DIMENSIONES

NON – STANDARD OPTIONS

Electric Plug

Power Supply : extractable connector

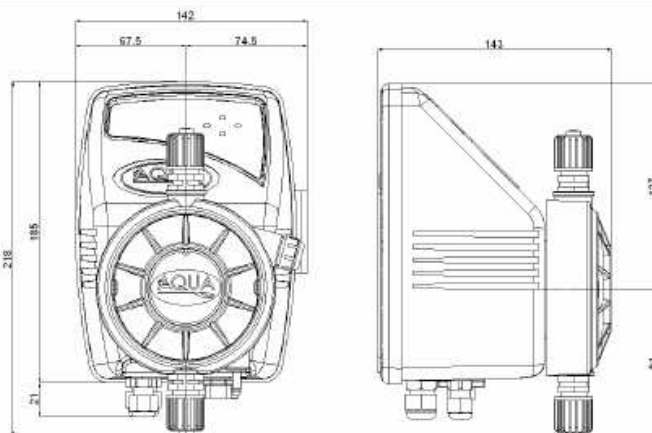


Fig. 1 SERIE "HC 797" A MURO / WALL MOUNTING / VERSION A PAROI / VERSION A PARED

HC 797 series

dimensions and packing

Packing weight: 3 kg

Packing size (mm): 200 x 260 x 160

Pump dimensions with out horizontal bracket (mm) : 218 x 142 x 143

Pump dimensions with horizontal bracket (mm) : 260 x 142 x 162

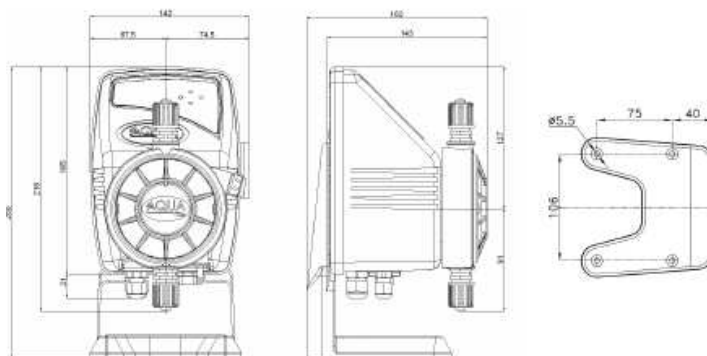


Fig. 2 SERIE "HC 797" CON BASE / BASE MOUNTING / VERSION AVEC BASE / VERSION CON SOPORTE PARA MONTAJE HORIZONTAL



Technical Data Sheet
HC 797 PH